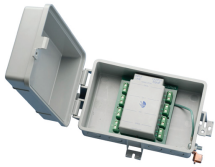
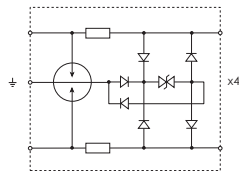
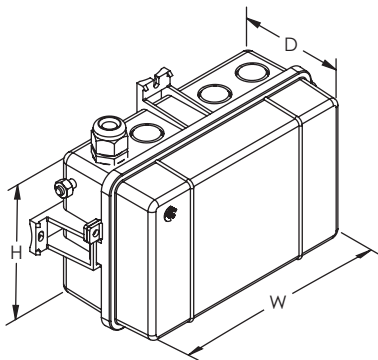


Outdoor Wireless Power Over Ethernet Surge Protection – MWECSPOE



- Ideal for 10/100 Base-T Cat 5e protection
- All four twisted pairs protected
- Primary and secondary protection
- Weatherproof enclosure
- High-speed, high-energy handling capability
- Designed to minimize insertion loss and cross-talk
- Enclosure meets UL 94V-0 497B rain test requirements



Part Number	MWECSPOE
Max Continuous Operating Voltage (Uc)	60 VDC
Rated Load Current (IL)	1 A
Nominal Discharge Current (In)	20 kA 8/20 μ s
Max Discharge Current (Imax)	25 kA 8/20 μ s
Voltage Protection Level (Up)	50 V @ 3 kA
Strain Relief Cable Diameter	Gray, 4.6 - 11.2 mm
Protection Modes	Common Differential
Temperature	-40 to 80 °C
Enclosure Material	UL 94V-0 Thermoplastic
Knockout Sizes	(4) 22,5 mm (2) 28,4 mm
Depth (D)	89.4 mm
Height (H)	137.2 mm
Width (W)	221.4 mm
Unit Weight	0.6 kg
Complies With	ANSI /IEEE C62.41.2-2002 Cat A, Cat B, Cat C
Certifications	UL

Part Number	MWECSPOE
Standard Packaging Quantity	1 pc
UPC	78285663164
EAN-13	8711893060638

ANSI is a registered trademark of American National Standards Institute. IEEE is a registered trademark of The Institute of Electrical and Electronics Engineers, Inc. UL, UR, cUL, cUR, cULus and cURus are registered certification marks of UL LLC.

WARNING

Pentair products shall be installed and used only as indicated in Pentair's product instruction sheets and training materials. Instruction sheets are available at erico.pentair.com and from your Pentair customer service representative. Improper installation, misuse, misapplication or other failure to completely follow Pentair's instructions and warnings may cause product malfunction, property damage, serious bodily injury and death and/or void your warranty.

© 2017 Pentair All rights reserved

Pentair, CADDY, CADWELD, CRITEC, ERICO, ERIFLEX, ERITECH and LENTON are owned by Pentair or its global affiliates.

All other trademarks are the property of their respective owners. Pentair reserves the right to change specifications without prior notice.