

# BAP2K5 - SERIES

DC/ DC Converter: 2500 Watts



3U3



3U4

## Features

- ◆ High quality for industrial applications
- ◆ Up to 2500 watts output power
- ◆ Over voltage protection
- ◆ Overload and short circuit protection
- ◆ MTBF > 130,000hrs
- ◆ Specials output voltage options
- ◆ Any output from 24vdc ~ 125vdc possible
- ◆ **N+1** Redundancy Applications – option
- ◆ Output DC Fail alarm -Option
- ◆ Battery Charging applications - Option

## Description

The **BAP2K5** Series DC/DC converter is a mature design product, with a proven track record in many applications over two decades and designed for a wide range of industrial applications.

The unit is equipped with reverse polarity protection on the input, surge protection and input & output filtering.

Optional ruggedizing & conformal coating is available, for immunity to shock, vibration, humidity, moisture, dust and insects.

In addition, a range of options are available, allowing customer's total flexibility to specify a unit that is specific to their application.

## Options

- Output Voltage** Special voltage output, up to 125VDC
- Alarm** Voltage Free contacts
- N+1 Redundancy** Output redundancy diode for parallel operation
- Rack mount** Various 19in Rack mount options

## Part No Configuration:

### BAP2K5 – xx3U3/3U4-xx

- ◆ Final part no is factory assigned, depending in input & output voltage and any special features.
- ◆ Voltages below are only to illustrate standard input/output voltages.

Series / Power	Input V	Output V / A	Options
<b>BAP2K5</b> (2500 watts)	24	24V 104A	Factory Assigned No.
	48	36V 69A	
	72	48V 52A	
	110	72V 34A	
	125	125V 20A	

## General Specifications

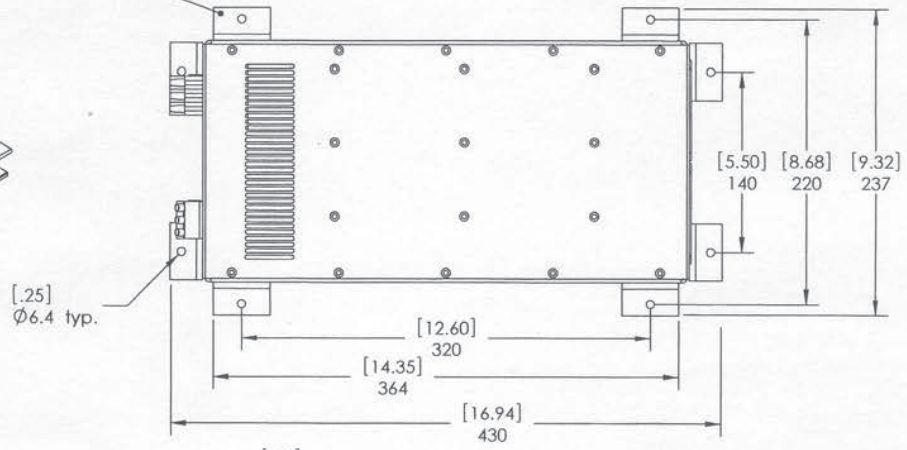
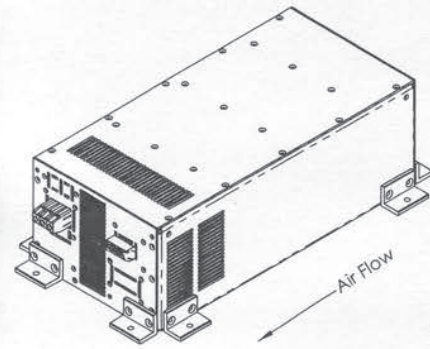
<b>Input Voltage</b>	24VDC ( 21 ~ 30 ) 48VDC ( 42 ~ 60 ) 110VDC ( 90 ~ 140 ) 125VDC ( 105 ~145 ) Other voltages on request
<b>Input Protection</b>	Reverse polarity protection. Inrush current limiting Thermal Fuse
<b>Isolation</b>	Input - Output 1500vdc Input – Output 2500vdc ( 110v input ) Input – Chassis 1500vdc Output – Chassis 500vdc
<b>Efficiency</b>	Model dependent , typically 80%
<b>Output voltage</b>	See tables
<b>Output Power</b>	2500 watts maximum
<b>Parallel Operation</b>	Optional
<b>Voltage adjustment</b>	Customer specified, typically 5%
<b>Line / Load Regulation</b>	Output voltage dependant Typically: ±1%
<b>Output Protection</b>	◆ Over voltage protection ◆ Constant Current limiting & short circuit protection
<b>Output Ripple / Noise</b>	<1% of Vout pk-pk or 0.2%rms ( 20MHZ BW)
<b>Temp Drift</b>	0.03% per °C over temperature range.
<b>EMI</b>	EN55022 class A
<b>Immunity</b>	EN61000-4
<b>Shock &amp; Vibration</b>	Designed to meet IEC61373 Cat 1 A & B
<b>Operating Temp.</b>	0°C to +50°C at full load. +70°C at 50% load.
<b>Cooling</b>	Fan cooled
<b>Dimensions</b> ( H*W*L )	Depending on input/output voltage combination. 3U3: 132 x 187 x 407mm 6kg 3U4: 132 x 244 x 407mm 8kg

# BAP2K5 - SERIES

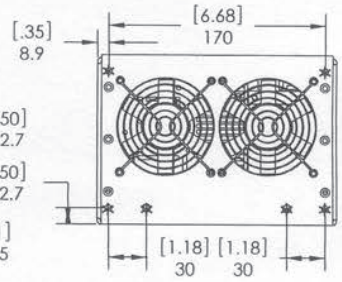
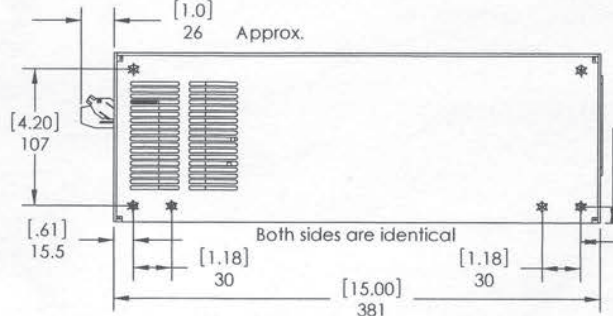
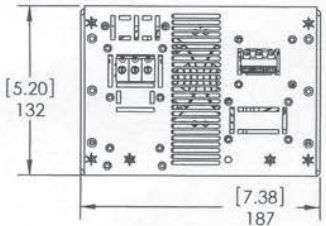
DC/ DC Converter: 2500 Watts

## 3U3 Package

Mounting brackets can be installed along short or long sides - 4 mounting brackets with fasteners are provided with the unit

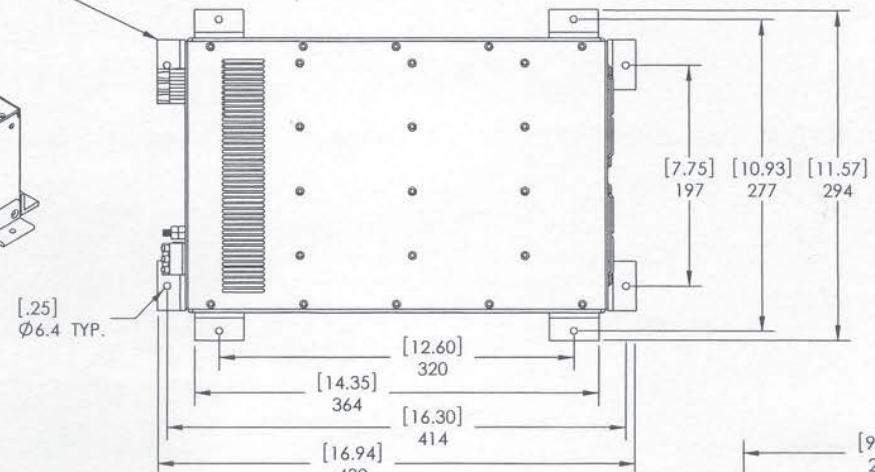
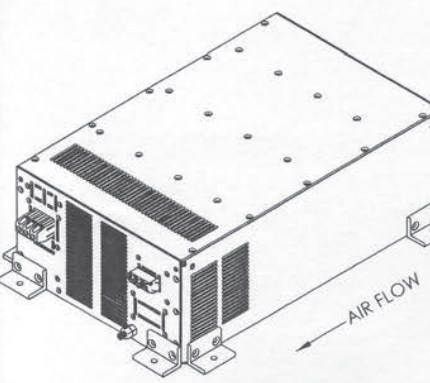


Input / Output termination may vary, it depends on application



## 3U4 Package

Mounting brackets can be installed along short or long sides - 4 mounting brackets with fasteners are provided with the unit.



Input / Output termination may vary, it depends on application

