

BAP65F - SERIES

DC/ DC Converter: 750 ~ 1000 Watts



Features

- High quality for industrial applications
- Up to 1000 watts output power
- Over voltage protection
- Overload and short circuit protection
- MTBF > 130,000hrs
- Specials output voltage options
- Any output from 24vdc ~ 125vdc possible
- **N+1** Redundancy Applications – option
- Output DC Fail alarm -Option
- Battery Charging applications - Option

General Specifications

Input Voltage	24VDC (20 ~ 29) 48VDC (38 ~ 60) 120VDC (90 ~ 140) 220VDC (200 ~ 290) Other voltages on request
Input Protection	Reverse polarity protection. Inrush current limiting Thermal Fuse
Isolation	Input - Output 1500vdc Input – Output 2500vdc (110v input) Input – Chassis 1500vdc Output – Chassis 500vdc
Efficiency	Model dependent , typically 80%
Output voltage	See tables
Output Power	24V Input @ 600 watts 48 -220V input @ 1000 watts
Parallel Operation	Optional
Voltage adjustment	Customer specified, typically 5%
Regulation	Output voltage dependant Typically: ±3-5%
Output Protection	Over voltage protection Constant Current limiting & short circuit protection
EMI	EN55022 class A
Immunity	EN61000-4
Shock & Vibration	Designed to meet IEC61373 Cat 1 A & B
Operating Temp.	0°C to +50°C at full load. +70°C at 50% load.
Cooling	Fan cooled
Dimensions	BAP65F: 300 x 155 x 65mm (FF3) 2.3kg

Description

The **BAP65F** Series DC/DC converter is a mature design product, with a proven track record in many applications over two decades and designed for a wide range of industrial applications.

The unit is equipped with reverse polarity protection on the input, surge protection and input & output filtering.

Optional ruggedizing & conformal coating is available, for immunity to shock, vibration, humidity, moisture, dust and insects.

In addition, a range of options are available, allowing customer's total flexibility to specify a unit that is specific to their application.

Options

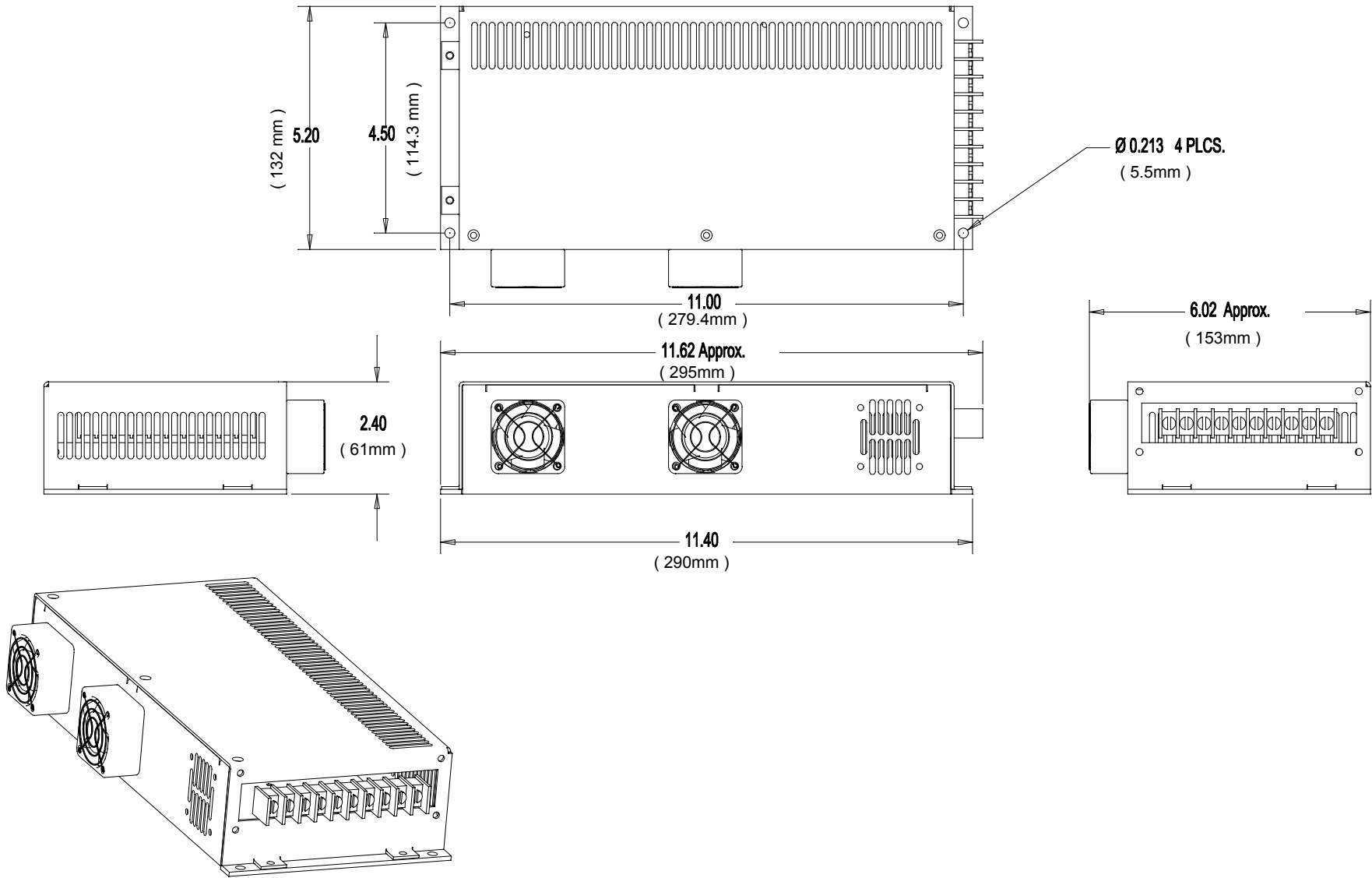
Output Voltage	Special voltage output, up to 125VDC
Alarm	Voltage Free contacts
N+1 Redundancy	Output redundancy diode for parallel operation
Rack mount	Various 19in Rack mount options

Part No Configuration:

BAP65F-48/48FT (48 / 48V 1000W)
BAP65F-24/48FT (24 / 48V 600W)

Series / Power	Input V	Output V	Options
BAP65F-24 = 600W	24	24	Factory Assigned No.
BAP65F-48 =1000W	48	28	
BAP65F-72 =1000W	72	30	
BAP65F-120 = 1000W	120	48	
BAP65F-220 = 1000W	220	60	
		110	
		120	
		125	

- Input & Output voltage is customer specified, together with any special options / features.
- For input voltages >48V we can offer 12V output at 50A



Dimenions in Inches (mm)

NOV.06.02

FF3 PACKAGE OUTLINE