

LS200 Series

Instruction Manual

BEFORE USING THE POWER SUPPLY UNIT

Pay attention to all warnings and cautions before using the unit. Incorrect usage may lead to an electrical shock, damage to the unit or a fire hazard.

WARNING and CAUTION

- Do not modify.
- Do not touch the internal components; it may have high voltage or high temperature. You may get electrical shock or burn.
- When the unit is operating, keep your hands and face away from it as you may be injured by flying debris in the event of a fault.
- This power supply is designed for use within an end product. Stick the WARNING label for users on the system equipment and notify in the system instruction manual.
- Never operate the unit under over current or short-circuit conditions for more than 30 seconds or outside its specified Input Voltage Range, which could result in damage but there is no possibility of fire or burning.
- Confirm connections to input/output terminals are correct as indicated in the instruction manual.
- Hazardous voltage may appear at output terminals depending on the type of failure. The outputs of these products must be earthed in the end equipment to maintain SELV.

If the outputs are not earthed, they must be considered hazardous and must not be made user accessible.

Note: CE MARKING

CE marking, when applied to the LS series products, indicates compliance with the Low Voltage Directive (2006/95/EC) in that it complies with EN60950-1 2nd edition.

DWG NO. : PA607-04-01		
APPD	CHK	DWG
<i>Jeff</i> 11-Feb-10	<i>Ramona</i> 11-Feb-2010	<i>yc Lin</i> 11-Feb-2010

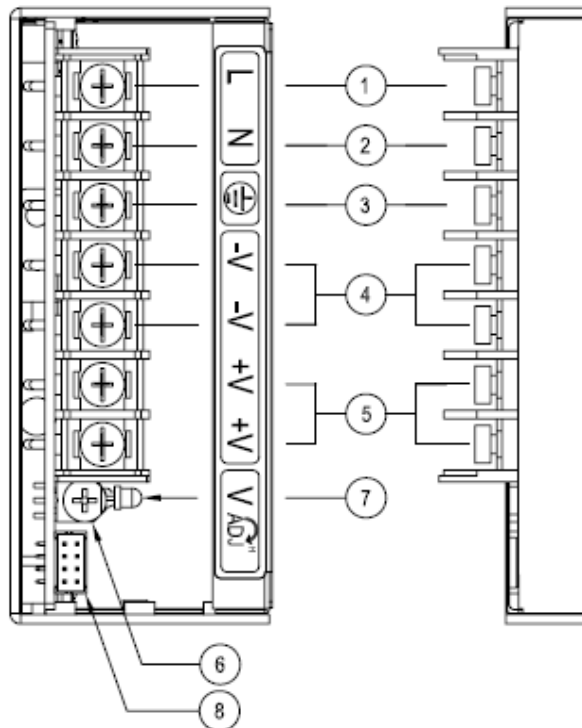
1. Terminal Explanation

Please pay extra attention to the wiring. Incorrect connection may cause damage the power supply.

- When connecting input and output wiring, input AC-Line should be OFF.
- Input wiring and output wiring shall be separated, otherwise noise susceptibility of power supply unit will be weak.
- The protective earth (PE) must be connected to the instrument chassis and the chassis of this power supply unit.
- Remote sensing lines shall be twisted or use shielded wire.
- Remote ON/OFF control lines shall be twisted or use shielded wire.

1-1. Front Panel Explanation

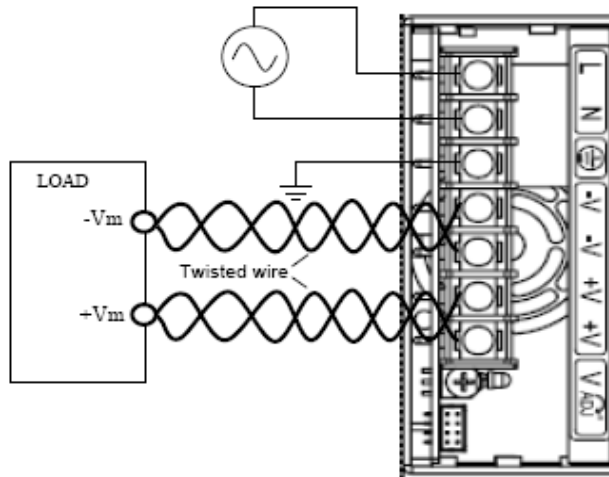
- (1) L : Input terminal Live line (Fuse in line)
- (2) N : Input terminal Neutral line
- (3) \perp : Functional Ground
- (4) - V : - Output terminal
- (5) +V : + Output terminal
- (6) Output voltage adjustable trimmer
- (7) Output monitoring indicator (Green LED : ON)
- (8) CN2: Remote sensing and ON/OFF control signal



2. Terminal Connecting Method

2-1. Terminal connecting method

- Input must be off when making connection.
- Connect FG terminal to ground terminal of the equipment.
- The output load line and input line shall be separated and twisted to improve noise immunity.



Maximum output current of each output terminal is 20A. If more than 20A, use 2 terminals.

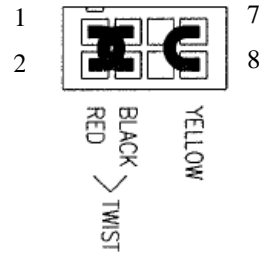
2-2. CN2 Connector pin configuration and Function

Pin No.	Configuration	Function
1	+Vm	Connected to +Output terminal of the power supply unit. (+Vm terminal cannot supply load current)
2	+S	Remote sensing terminal for +Output (For remote sensing function, this compensates for line drop between power supply terminals and load terminals. Connect to +Vm terminal when remote sensing function is not required)
3	-Vm	Connected to -Output terminal of the power supply unit. (-Vm terminal cannot supply load current)
4	-S	Remote sensing terminal for -Output (For remote sensing function, this compensates for line drop between power supply terminals and load terminals. Connect to -Vm terminal when remote sensing function is not required)
5	NC	No connection
6	NC	No connection
7	CNT+	Remote ON/OFF control terminal (When CNT+ is pulled to TTL low, power supply unit turns ON. Otherwise, it turns OFF)
8	CNT-	Return loop for CNT+ signal

2.3. Basic connection (Local sensing)

- (1) Connect "+S" terminal to "+Vm" terminal with sensing wire
- (2) Connect "-S" terminal to "-Vm" terminal with sensing wire
- (3) Connect "CNT+" terminal to "CNT-" terminal with wire

- Please use attached CN2 connector for each connection.



2-4. Remote sensing required

- (1) Connect "+S" terminal to "+Vm" terminal of load with sensing wire.
- (2) Connect "-S" terminal to "-Vm" terminal of load with sensing wire.
- (3) Connect "CNT+" terminal to "CNT-" terminal with wire.

- The accuracy of output voltage will be affected when sensing terminal is opened.

3. Explanation of Functions and Precautions

3-1. Input Voltage Range

Input voltage range is single phase 85 ~ 264VAC (47 ~ 63Hz) or 120 ~ 373VDC.
 Input voltage which is out of specification, may damage the unit. For cases where conformance to various safety specifications (UL, CSA, EN) are required, input voltage range shall be 100~240VAC (50/60Hz).

Note: LS200 series is able to withstand Input Surge of 300VAC for 5 seconds.

3-2. Output Voltage Range

V.ADJ trimmer is for output voltage adjustment within the range of specifications. Turning the trimmer clockwise will increase the output voltage. Kindly note that Over Voltage Protection (OVP) function may trigger if the output voltage is increased excessively. Please ensure that the output power is below the rated output power, and output current is below the maximum output current (3.3V ~ 15V and 48V) or below the peak output current (24V ~ 36V) when output voltage is raised.

3-3. Inrush Current

Power Thermistor is built in to protect the circuit from high Inrush Current. Please select suitable input switch and fuse rating in case of re-input the power at high temperature.

3-4. Over Voltage Protection (OVP)

The OVP function will shutdown the output. The input shall be removed for a few minutes, and then re-input for recovery of the output. OVP setting is fixed and cannot be adjusted externally.

3-5. Over Current Protection (OCP)

OCP function activates when the output current exceeds the specified OCP limit. The output will automatically recover when the overload condition is removed. Do not operate overload or dead short conditions for more than 30 seconds, which could result in damage. There is no possibility of fire or burning.

3-6. Over Temperature Protection (OTP)

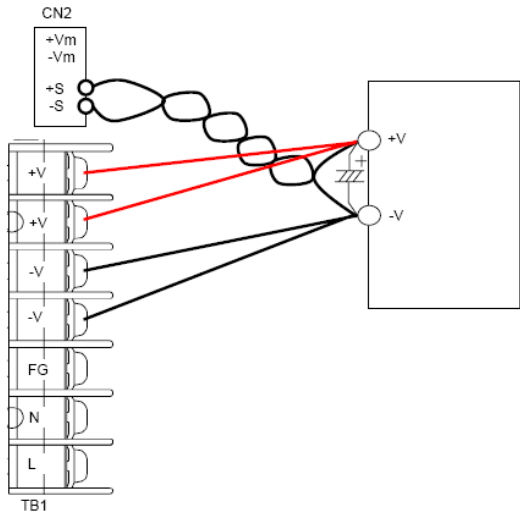
Over Temperature Protection function (manual reset type) is available. When ambient or internal temperature rises abnormally, OTP function will shut down the output. To recover the unit, first shut down the AC input and let the unit cool down before turning ON the AC input.

3-7. Remote Sensing (+S, -S terminal)

Remote sensing function is provided to compensate for voltage drop across the wiring from the power supply output terminals to the load input terminals. Connect "+S" terminal to "+Vm" terminal of the load and "-S" terminal to the "-Vm" terminal of the load with sensing wires. The total line voltage drop (+Vm side line and -Vm side line) shall be less than 0.3V. In the case that sensing wires are too long, it is necessary to put an electrolytic capacitor across the load terminals. Example of external capacitor is listed in the table below :

	Minimum external capacitance at the load input terminal							
MODEL	3.3V	5V	7.5V	12V	15V	24V	36V	48V
LS200	2,200uF					1,000u	470uF	

		F	
--	--	---	--

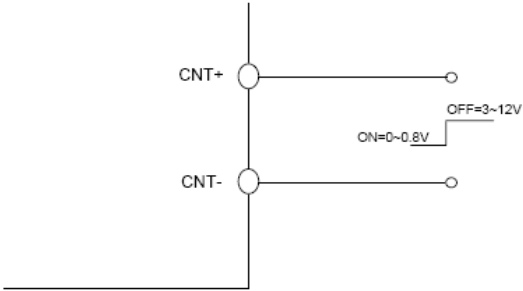


When not using the remote sensing function, +S & -S terminal shall be connected to +Vm & -Vm terminals of CN2 respectively. Please use the attached connector of CN2 for this purpose. This is to ensure stability and accuracy of the output.

3-8. Remote ON/OFF Control

Remote ON/OFF control is available. Output can be remotely switched OFF by connecting an external logic high signal to CNT+ terminal versus CNT- terminal. And when the external signal is changed to logic low, the output will be switched ON immediately.

CNT+ Level versus CNT- terminal	Output
0 ~ 0.8V	ON
3 ~ 12V	OFF



When not using the remote ON/OFF function, CNT+ terminal must be shorted to CNT- terminal with the attached connector shown in 2-3.

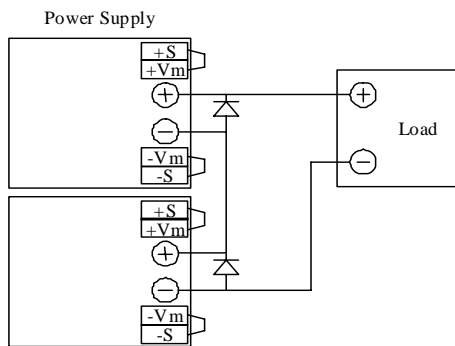
3-9. Output Ripple & Noise

Ripple & noise are measured at 20MHz using a 300mm twisted pair of load wires terminated with a 0.1uF film capacitor & 47uF electrolytic capacitor. When load lines are longer, ripple becomes larger. The output ripple cannot be measured accurately if the probe ground lead of oscilloscope is too long. At low temperature, large ripple & noise may also be observed due to large ESR of the internal Electrolytic Capacitors especially at -25 °C. Output voltage rise may not be smooth during initial turn on at low temperature.

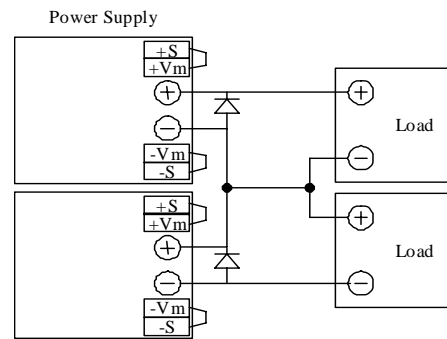
3-10. Series Operation

For series operation, either method (A) or (B) is possible.

Method (A)



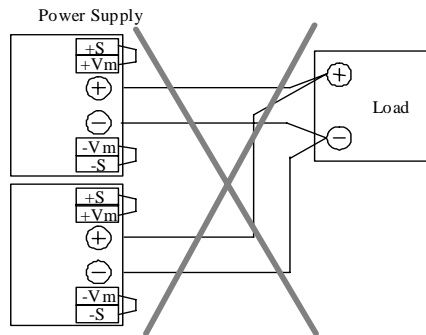
Method (B)



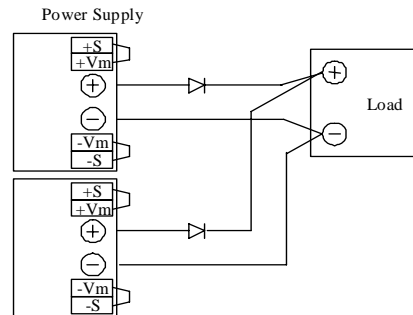
Note: In case of Method (A), please connect diodes to prevent the reverse voltage.

3-11. Parallel Operation

(A)



(B)



- (A) Operation to increase the Output Current is not possible.
- (B) Operation as a Backup Power Supply is possible as follows.
 - (1) Set the power supply output voltage higher by the amount of forward voltage drop (V_F) of the diode.
 - (2) Please adjust the output voltage of each power supply to be the same.
 - (3) Please use within the specifications for output voltage and output current. Connect "CNT+" terminal to "CNT-" terminal with wire CN2 connector.

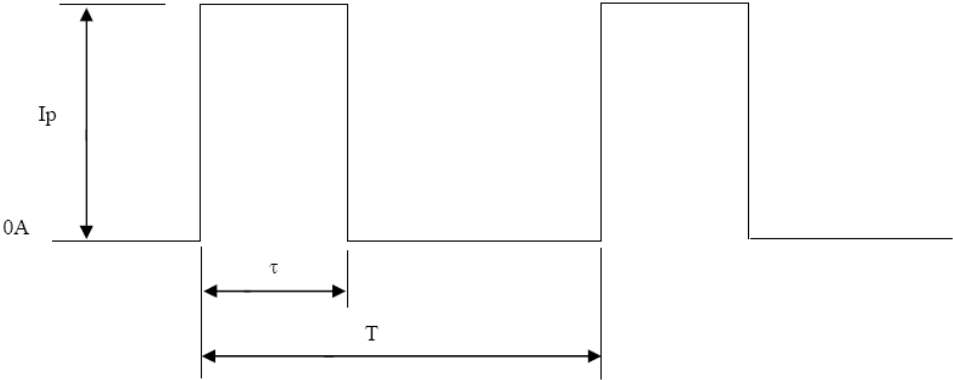
3-12. Output Peak Power

- Operating conditions for peak power/current models:
- (a) Reduce peak current according to output derating curve for higher ambient temperature (see section 5.1)
 - (b) Output might shut down when the rated current or the continuous peak output time (τ) exceeded rated value specified. Power supply may shut down and operate in hiccup or constant current limiting mode.

Input voltage : 115 ~ 230 VAC +/- 20% (50/60 Hz)
 Continuous peak out time (τ) : < 10s
 Peak output current (I_p) : Within the rated peak output current

Duty: not more than 35%

$$\text{Duty} = \frac{\tau}{T} \times 100 (\%)$$



$$\sqrt{I_p^2 \times \frac{\tau}{T}} < I_{rms \text{ max}}$$

Applicable model for Peak Output Power :

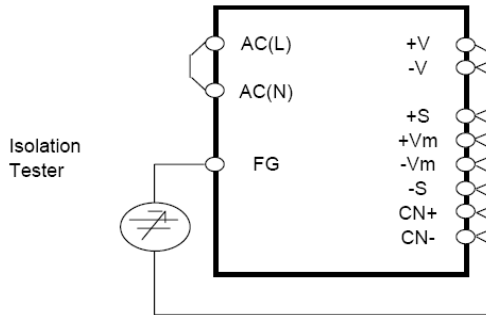
Model	I _{rms max.}
LS200-24	6.15 A
LS200-36	4.10 A

4. Isolation / Withstand Voltage

4-1. Isolation Test

Isolation resistance between output and FG (chassis) shall be more than 100MΩ at 500VDC. For safety, voltage setting of DC isolation tester must be done before the test. Ensure that the unit is fully discharged after the test.

Output ~ FG (chassis): 500VDC, 100MΩ or more



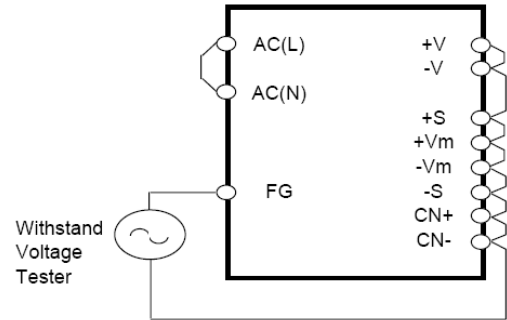
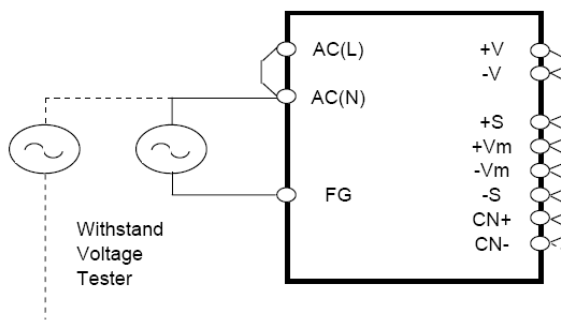
4-2. Withstand Voltage

This series is designed to withstand 3.0kVAC between input and output, 1.5kVAC between input and FG (chassis) and 500VAC between output and FG (chassis) each for 1 minute. When testing withstands voltage, set current limit of withstand voltage test equipment at 20mA (Output-FG (chassis): 100mA). The applied voltage must be gradually increased from zero to testing value and then gradually decreased for shut down. When timer is used, the power supply may be damaged by high impulse voltage at timer switch on and off. Connect input and output as follows :

(a) Input ~ FG (chassis) : solid line
 1.5kVAC, 1min (20mA)

(c) Output ~ FG (chassis) : 500VAC
 1min (100mA)

(b) Input ~ Output : dotted line
 3kVAC, 1min (20mA)

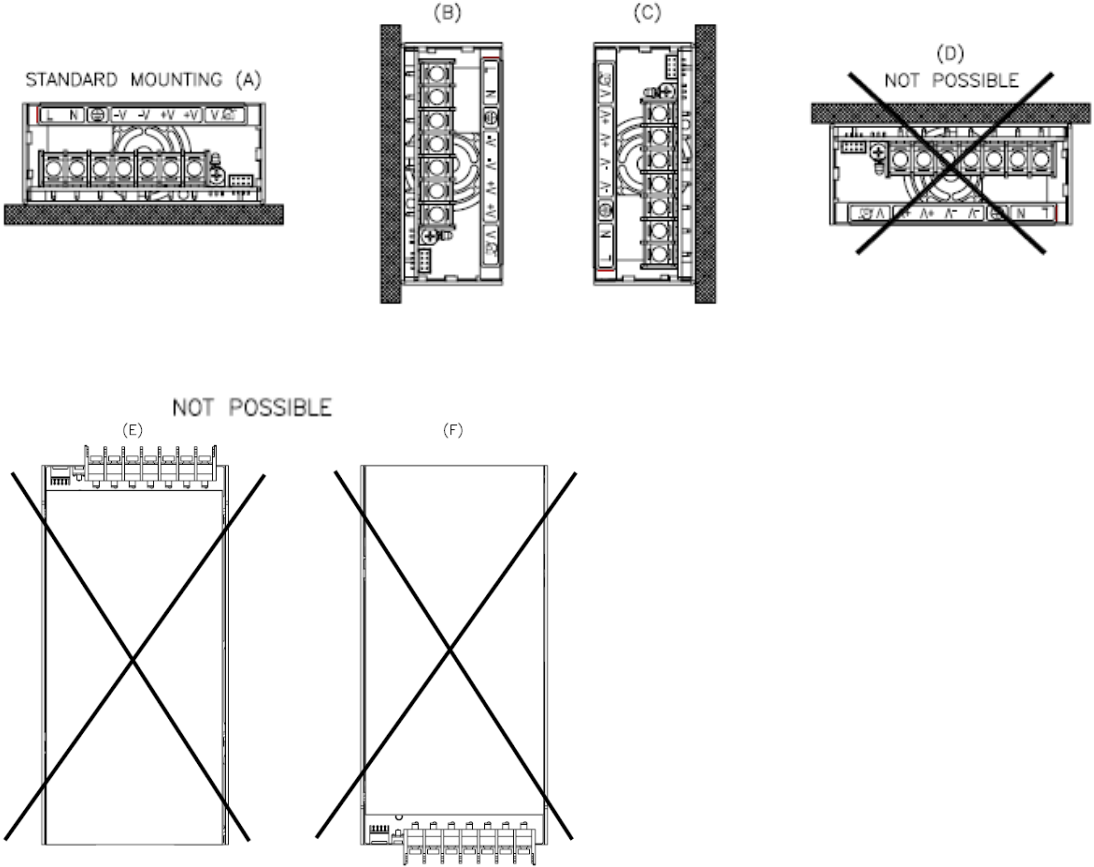


5. Mounting Directions

5-1. Output Derating according to the Mounting Directions

(a) Forced air convection, with FAN & cover (Exhale)

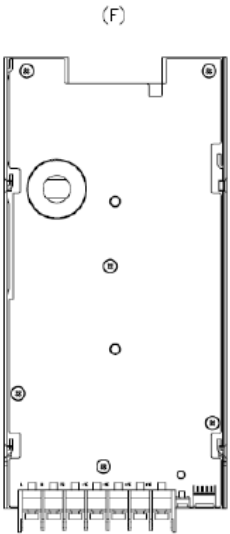
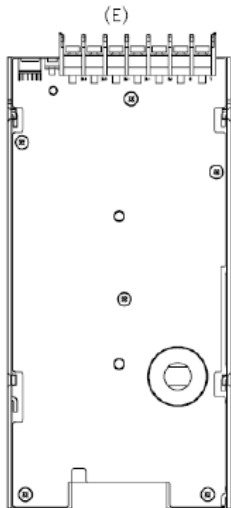
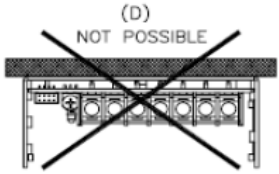
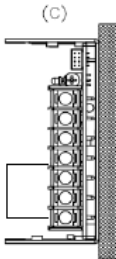
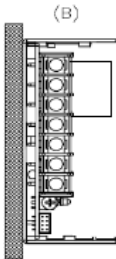
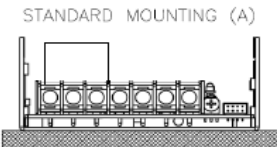
Recommended standard mounting is Method (A).
 Method (B) and (C) are also possible.
 Refer to the Output Derating below.
 Please do not use installation Method (D), (E) and (F).



(b) Free air convection, without Fan & Cover

Recommended standard mounting is Method (A).
 Method (B), (C), (E) and (F) are also possible.

Refer to the Output Derating below.
Please do not use installation Method (D).



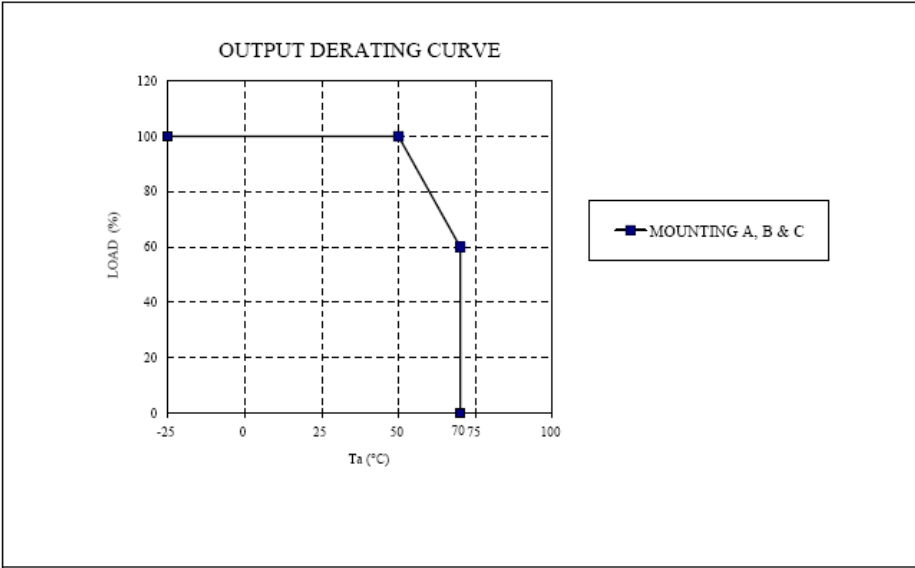
5-2. Output Derating according to the ambient temperature

(A) LS200 series Output Derating versus Ambient Temperature.

The cooling system is forced air (exhale).

In the following derating curve, the maximum output current please refers to PA607-01-01.

LS200 – 3.3V, 5V, 7.5V, 12V, 15V, 24V, 36V & 48V

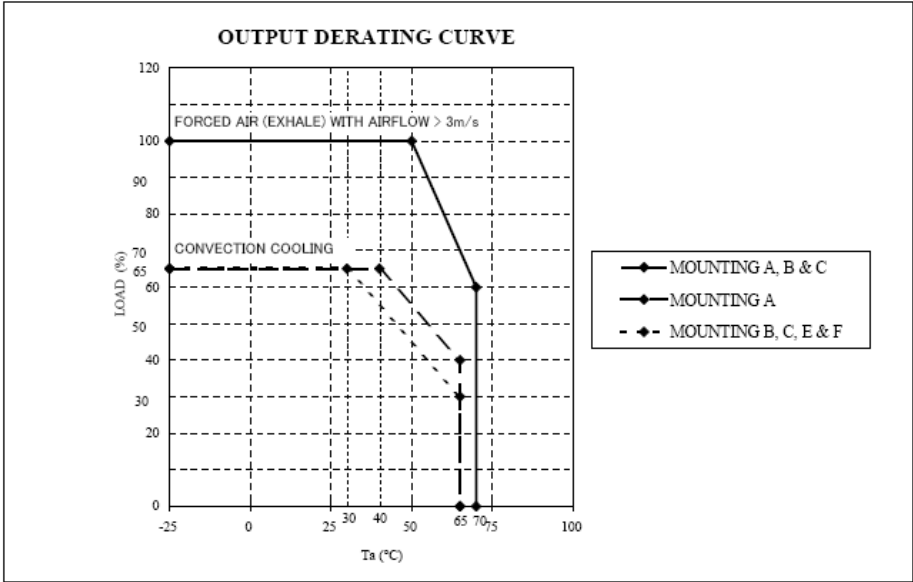


(B) LS200/L series Output Derating versus Ambient Temperature.

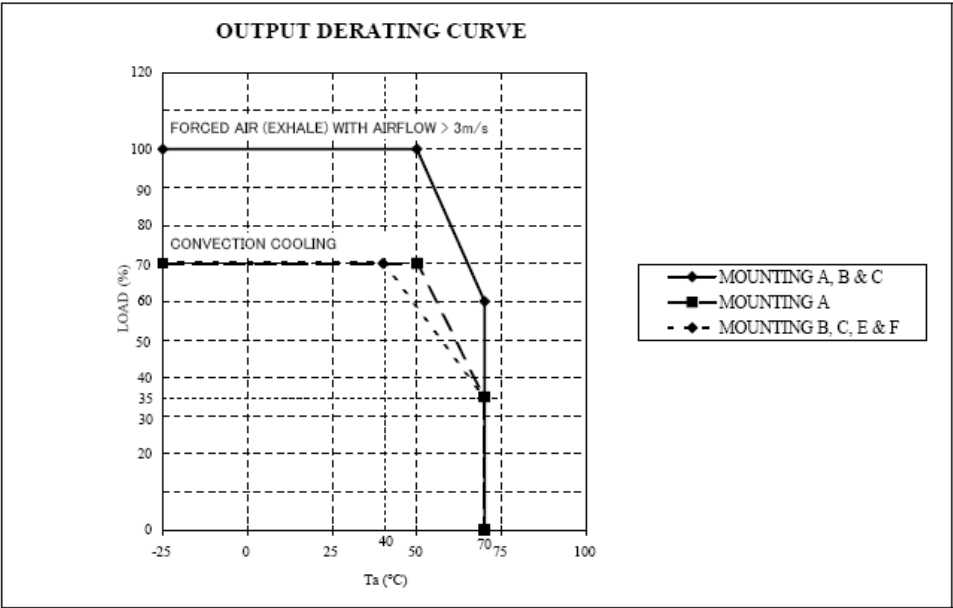
The cooling system is convection cool or forced air (exhale) with airflow > 3m/s.

In the following derating curve, the Y-axis for maximum output current please refers to PA607-01-01/L.

i. LS200/L – 3.3V, 5V & 7.5V



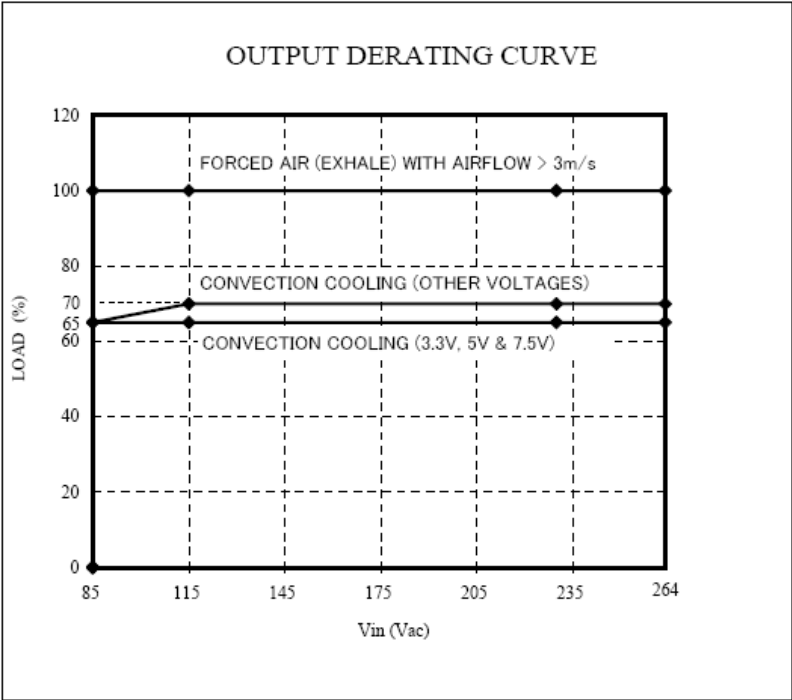
ii. LS200/L – 12V, 15V, 24V, 36V & 48V



(C) LS200/L series for Output Derating versus Input Voltage.

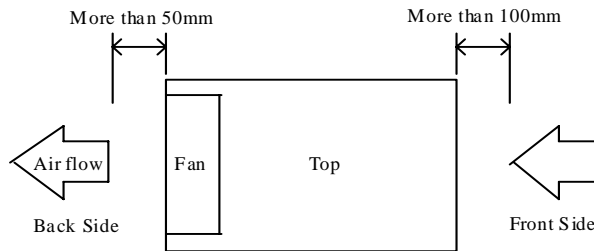
The cooling system is convection cool or forced air (exhale) with airflow > 3m/s.
 In the following derating curve, the Y-axis for maximum output current please refers to PA607-01-01/L.

LS200/L – 3.3V, 5V, 7.5V, 12V, 15V, 24V, 36V & 48V



5-3. Mounting Method

- 1) This power supply unit is a forced air-cooling system with a built-in fan.
- 2) This power supply has ventilation holes in front and the back.
 In consideration of the heat radiation and safety, please keep a distance of more than 100mm from front side and more than 50mm from rear side.
- 3) Please note that ventilation will be worsened in a dusty environment.
- 4) Built in fan is limited life part, which requires periodic replacement. (Replacement will be charged).
- 5) The ambient temperature of this power supply is less than 50mm from the center of the front side.
- 6) Maximum allowable penetration of mounting screws into the power-supply is 5mm.
- 7) Recommended torque for mounting screws (M4): 1.27 N·m (13.0 kgf·cm).



6. Wiring Method

- The input and output load wires shall be separated and twisted to improve noise immunity.
- Both wires must be as thick and short as possible to have lower impedance.
- Noise can be reduced by connecting a film capacitor with 0.1uF capacitance across the load terminals.
- For safety and EMI considerations, connect the FG terminal of LS200 series to mounting set ground terminal.
- The recommended wire type :

MODEL	Recommended Wire	Recommended torque	Recommended crimp-type terminal		
			D (MAX)	t (MAX)	Mounting Pieces (MAX)
LS200	AWG14-22	M3.5 Screws 1.0 N·m (9.8 kgf·cm) ~ 1.4 N·m (13.7 kgf·cm)	6.8mm	0.8mm	2 pieces

Note 1 : When using separate loads, it is recommended to use 2 pieces of 0.8mm thick crimp-type terminal.

Note 2 : For recommended wire diameter, refer to wire maker recommended allowable current and voltage drop. For higher output current model like 3.3V & 5V, bigger diameter wire is recommended.

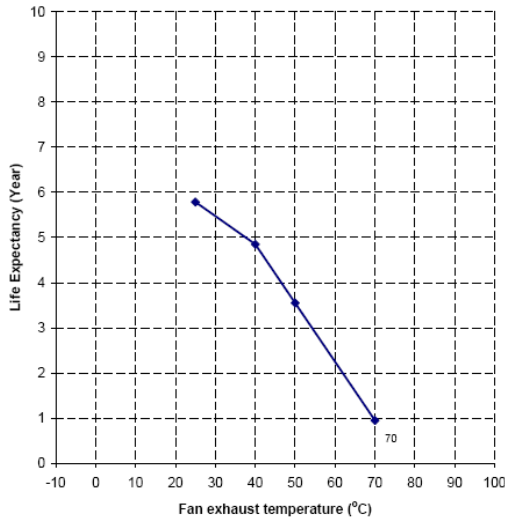
7. External Fuse Rating

Refer to the following fuse rating when selecting the external input fuse. Surge current flows when input is turned on. Fuse rating is specified by Inrush Current value at input turns on. Do not select the fuse according to input current (rms) values under the actual load condition.

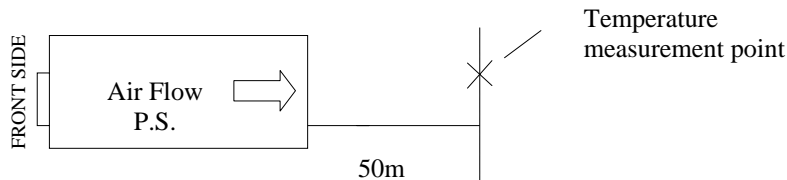
LS200 : F5A , 250V

8. Fan Life Expectancy.

The fan life has limitation. Following figure shows the life expectancy of fan against temperature.



Measurement point of fan exhaust temperature



9. Before concluding that the unit is at fault...

Please make the following checks.

- (1) Check if the rated input voltage is connected and within specification.
- (2) Check if the wiring of input and output is correct.
- (3) Check if the I/O terminal connection is properly tighten by required torque.
- (4) Check if the wire thickness is enough.
- (5) Check if the output voltage trimmer (V.ADJ) is properly adjusted. OVP might be triggered and output is shutdown.
- (6) Check if the built-in fan is operating. Is fan stopped or blocked by something?
- (7) Power supply has ventilating holes in front and the back. Check if there is any blockage or dust, etc.
- (8) Is the chassis of power supply abnormally hot? The output is shutdown by OTP operation.
Please disconnect or turn off the AC input and let the unit cool down sufficiently before turning ON the AC input again.
- (9) Check if the output current and output wattage does not exceed the specification.
- (10) Audible noise may be heard when input voltage waveform is not sinusoidal.
- (11) Audible noise may be heard during dynamic load operation.
- (12) Ensure that a large capacitor is not connected across the output terminals. Please use within maximum capacitance shown below.

MODEL	Maximum external capacitance							
	3.3V	5V	7.5V	12V	15V	24V	36V	48V
LS200	10,000uF					5,000uF	1,000uF	

10. Warranty Condition

This product is under warranty for 3 years (based on 8 hours/day operation) from the date of shipment. During the warranty period, TDK-Lambda will, at its option, either repair or replace products prove to be defective.

Warranty applies but not limited to the following.

- (1) Average operating temperature (ambient temperature of the power supply unit) is under 40°C.
- (2) Average load factor is 80% or less.
- (3) Installation method: Standard installation.

Following cases are not covered by warranty.

- (1) Improper usage and mis-handling like dropping or applying shock to the unit and defects from operation exceeding specification of the product.
- (2) Defects resulting from natural disaster (fire, flood).
- (3) Unauthorized modification or repair.