

# INSTRUCTION SHEET

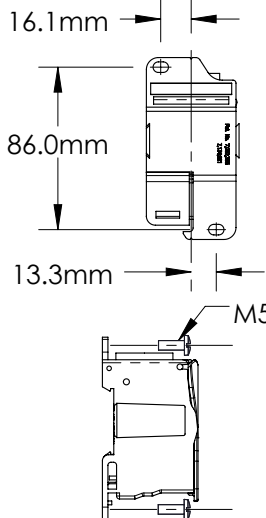
## UD250A/UD400A 569040/569050

### NOTE:

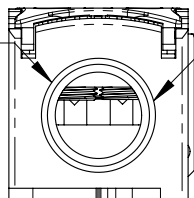
1. Tighten screws of all unused galleries to the specified torque above.
2. For multiple phase assemblies, join blocks together before installing on DIN Profile.
3. When protected by 200 ampere Class J or T fuse, this terminal block is rated for use on a circuit capable of delivering no more than 100kArms symmetrical amperes, 600 volts maximum.
4. The conduit ends shall be provided with a plastic conduit bushing.



|   |                  |
|---|------------------|
| UD250A<br>569040  | UD400A<br>569050 |
| I = 269A  | I = 400A         |
| Ui = 1000V AC/DC<br>Uimp = 12kV<br>Ipk = 51kA<br>Icw = 24.5kA rms @ 1 sec |                  |

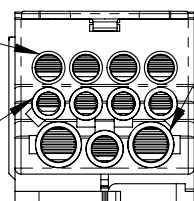


| UD250A                  |         |              |
|-------------------------|---------|--------------|
| Size                    | Torque  | Strip Length |
| OR                      | 19.0N.m | 26.4mm       |
| 35...120mm <sup>2</sup> |         |              |

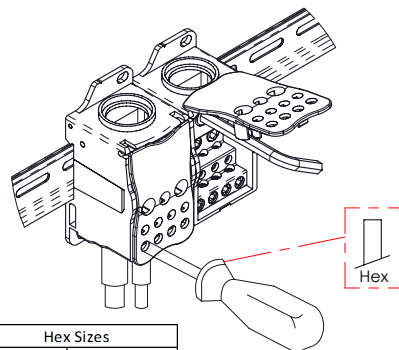


| UD400A                  |         |              |
|-------------------------|---------|--------------|
| Size                    | Torque  | Strip Length |
| OR                      | 25.0N.m | 26.4mm       |
| 95...185mm <sup>2</sup> |         |              |

| Size(5X)                | Torque | Strip Length |
|-------------------------|--------|--------------|
| OR                      | 2.7N.m | 10.2mm       |
| 2.5...16mm <sup>2</sup> |        |              |
| Size (4X)               | Torque | Strip Length |
| OR                      | 2.7N.m | 9.8mm        |
| 2.5...10mm <sup>2</sup> |        |              |



| Size (2X)             | Size (2X)             | Torque | Strip Length |
|-----------------------|-----------------------|--------|--------------|
|                       |                       | 4.4N.m | 15.9mm       |
| 6...35mm <sup>2</sup> | 6...25mm <sup>2</sup> |        |              |



| Hex Sizes        |                  |
|------------------|------------------|
| UD250A<br>569040 | UD400A<br>569050 |
| 3,4,5,8 mm       | 3,4,5,10 mm      |

### WARNING:

1. Pentair products shall be installed and used only as indicated in Pentair product instruction sheets and training materials. Instruction sheets are available at [www.erico.pentair.com](http://www.erico.pentair.com) and from your Pentair customer service representative.
2. Pentair products must never be used for a purpose other than the purpose for which they were designed or in a manner that exceeds specified load ratings.
3. All instructions must be completely followed to ensure proper and safe installation and performance.
4. Improper installation, misuse, misapplication or other failure to completely follow Pentair's instructions and warnings may cause product malfunction, property damage, serious bodily injury and/or death, and void your warranty.

### SAFETY INSTRUCTIONS:

All governing codes and regulations and those required by the job site must be observed. Always use appropriate safety equipment such as eye protection, hard hat, and gloves as appropriate to the application.

Pentair, CADDY, ERICO CADWELD, ERICO CRITEC, ERICO, ERIFLEX, and LENTON are owned by Pentair or its global affiliates. All other trademarks are the property of their respective owners. Pentair reserves the right to change specifications without prior notice.

IEC is a registered trademark of International Electrotechnical Commission

# INSTRUCTION SHEET

## UD250A/UD400A 569040/569050

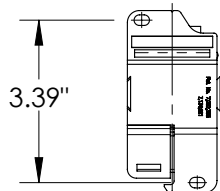
\*For Short Circuit Current Rating up to 100kA see UL file E198301

**NOTE:**

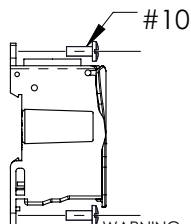
1. Tighten screws of all unused galleries to the specified torque above.
2. For multiple phase assemblies, join blocks together before installing on DIN Profile.
3. When protected by 200 ampere Class J or T fuse, this terminal block is rated for use on a circuit capable of delivering no more than 100kArms symmetrical amperes, 600 volts maximum.
4. The conduit ends shall be provided with a plastic conduit bushing.



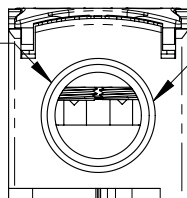
0.63"



0.52"

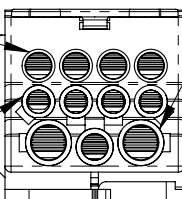


| UD250A          |              |              |
|-----------------|--------------|--------------|
| Size*           | Torque       | Strip Length |
| 6...250 MCM AWG | 168.0 in-lbs | 1.04 in      |



| UD400A            |              |              |
|-------------------|--------------|--------------|
| Size*             | Torque       | Strip Length |
| 3/0...400 MCM AWG | 221.0 in-lbs | 1.04 in      |

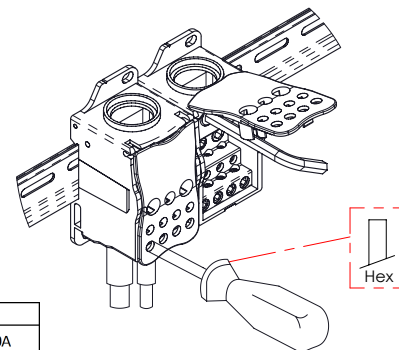
| Size*(5X) | Torque      | Strip Length |
|-----------|-------------|--------------|
| 8...4 AWG | 24.0 in-lbs | 0.40 in      |
| Size*(4X) | Torque      | Strip Length |
| 8...6 AWG | 24.0 in-lbs | 0.39 in      |



| Size*(2X) | Torque      | Strip Length |
|-----------|-------------|--------------|
| 8...1 AWG | 39.0 in-lbs | 0.63 in      |

| Hex Sizes        |                  |
|------------------|------------------|
| UD250A<br>569040 | UD400A<br>569050 |
| 3,4,5,8 mm       | 3,4,5,10 mm      |

|                  |                  |
|------------------|------------------|
| UD250A<br>569040 | UD400A<br>569050 |
| I = 255A         | I = 335A         |
| 600V AC/DC       |                  |



**WARNING:**

1. Pentair products shall be installed and used only as indicated in Pentair product instruction sheets and training materials. Instruction sheets are available at [www.ericopentair.com](http://www.ericopentair.com) and from your Pentair customer service representative.
2. Pentair products must never be used for a purpose other than the purpose for which they were designed or in a manner that exceeds specified load ratings.
3. All instructions must be completely followed to ensure proper and safe installation and performance.
4. Improper installation, misuse, misapplication or other failure to completely follow Pentair's instructions and warnings may cause product malfunction, property damage, serious bodily injury and/or death, and void your warranty.

**SAFETY INSTRUCTIONS:**

All governing codes and regulations and those required by the job site must be observed. Always use appropriate safety equipment such as eye protection, hard hat, and gloves as appropriate to the application.

Pentair, CADDY, ERICO CADWELD, ERICO CRITEC, ERICO, ERIFLEX, and LENTON are owned by Pentair or its global affiliates. All other trademarks are the property of their respective owners. Pentair reserves the right to change specifications without prior notice.

cURus is a registered Recognized Component Mark of Underwriters Laboratories, Inc

UL is a registered trademark of Underwriters Laboratories, Inc.

CSA mark is a registered trademark of CSA Group Certification & Testing Inc.,