

# INSTRUCTION SHEET

## UD250A/UD400A 569040/569050

### NOTE:

1. Tighten screws of all unused galleries to the specified torque above.
2. For multiple phase assemblies, join blocks together before installing on DIN Profile.
3. When protected by 200 ampere Class J or T fuse, this terminal block is rated for use on a circuit capable of delivering no more than 100kArms symmetrical amperes, 600 volts maximum.
4. The conduit ends shall be provided with a plastic conduit bushing.

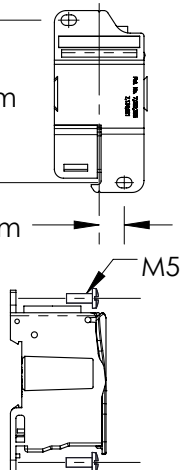


UD250A 569040	UD400A 569050
I = 269A	I = 400A
Ui = 1000V AC/DC Uimp = 12kV Ipk = 51kA Icw = 24.5kA rms @ 1 sec	

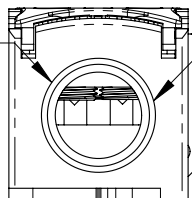
16.1mm

86.0mm

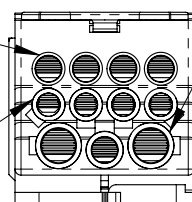
13.3mm



UD250A		
Size	Torque	Strip Length
OR	19.0N.m	26.4mm
35...120mm <sup>2</sup>		



UD400A		
Size	Torque	Strip Length
OR	25.0N.m	26.4mm
95...185mm <sup>2</sup>		

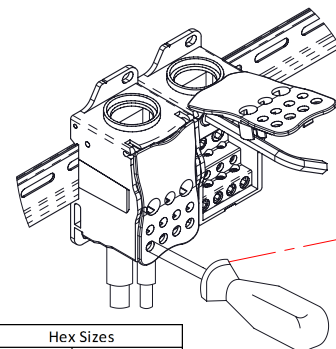


Size(5X)	Torque	Strip Length
OR	2.7N.m	10.2mm
2.5...16mm <sup>2</sup>		

Size (4X)	Torque	Strip Length
OR	2.7N.m	9.8mm
2.5...10mm <sup>2</sup>		

Size (2X)	Size (2X)	Torque	Strip Length
		4.4N.m	15.9mm
6...35mm <sup>2</sup>	6...25mm <sup>2</sup>		



Hex Sizes	
UD250A 569040	UD400A 569050
3,4,5,8 mm	3,4,5,10 mm

### WARNING:

1. Pentair products shall be installed and used only as indicated in Pentair product instruction sheets and training materials. Instruction sheets are available at [www.erico.pentair.com](http://www.erico.pentair.com) and from your Pentair customer service representative.
2. Pentair products must never be used for a purpose other than the purpose for which they were designed or in a manner that exceeds specified load ratings.
3. All instructions must be completely followed to ensure proper and safe installation and performance.
4. Improper installation, misuse, misapplication or other failure to completely follow Pentair's instructions and warnings may cause product malfunction, property damage, serious bodily injury and/or death, and void your warranty.

### SAFETY INSTRUCTIONS:

All governing codes and regulations and those required by the job site must be observed. Always use appropriate safety equipment such as eye protection, hard hat, and gloves as appropriate to the application.

Pentair, CADDY, ERICO CADWELD, ERICO CRITEC, ERICO, ERIFLEX, and LENTON are owned by Pentair or its global affiliates. All other trademarks are the property of their respective owners. Pentair reserves the right to change specifications without prior notice.

IEC is a registered trademark of International Electrotechnical Commission

# INSTRUCTION SHEET

## UD250A/UD400A 569040/569050

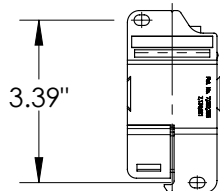
\*For Short Circuit Current Rating up to 100kA see UL file E198301

**NOTE:**

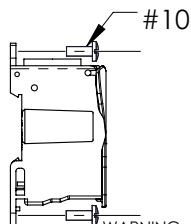
1. Tighten screws of all unused galleries to the specified torque above.
2. For multiple phase assemblies, join blocks together before installing on DIN Profile.
3. When protected by 200 ampere Class J or T fuse, this terminal block is rated for use on a circuit capable of delivering no more than 100kArms symmetrical amperes, 600 volts maximum.
4. The conduit ends shall be provided with a plastic conduit bushing.



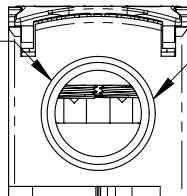
0.63"



0.52"

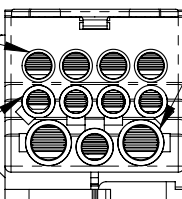


UD250A		
Size*	Torque	Strip Length
6...250 MCM AWG	168.0 in-lbs	1.04 in



UD400A		
Size*	Torque	Strip Length
3/0...400 MCM AWG	221.0 in-lbs	1.04 in

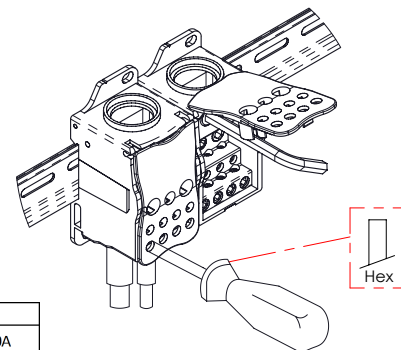
Size*(5X)	Torque	Strip Length
8...4 AWG	24.0 in-lbs	0.40 in
Size*(4X)	Torque	Strip Length
8...6 AWG	24.0 in-lbs	0.39 in



Size*(2X)	Torque	Strip Length
8...1 AWG	39.0 in-lbs	0.63 in

Hex Sizes	
UD250A 569040	UD400A 569050
3,4,5,8 mm	3,4,5,10 mm

UD250A 569040	UD400A 569050
I = 255A	I = 335A
600V AC/DC	



**WARNING:**

1. Pentair products shall be installed and used only as indicated in Pentair product instruction sheets and training materials. Instruction sheets are available at [www.ericopentair.com](http://www.ericopentair.com) and from your Pentair customer service representative.
2. Pentair products must never be used for a purpose other than the purpose for which they were designed or in a manner that exceeds specified load ratings.
3. All instructions must be completely followed to ensure proper and safe installation and performance.
4. Improper installation, misuse, misapplication or other failure to completely follow Pentair's instructions and warnings may cause product malfunction, property damage, serious bodily injury and/or death, and void your warranty.

**SAFETY INSTRUCTIONS:**

All governing codes and regulations and those required by the job site must be observed. Always use appropriate safety equipment such as eye protection, hard hat, and gloves as appropriate to the application.

Pentair, CADDY, ERICO CADWELD, ERICO CRITEC, ERICO, ERIFLEX, and LENTON are owned by Pentair or its global affiliates. All other trademarks are the property of their respective owners. Pentair reserves the right to change specifications without prior notice.

cURus is a registered Recognized Component Mark of Underwriters Laboratories, Inc

UL is a registered trademark of Underwriters Laboratories, Inc.

CSA mark is a registered trademark of CSA Group Certification & Testing Inc.,