

FC1K SERIES

AC / AC Frequency Converter: 1000 VA



General Specifications

Input Voltage	115 or 230Vac, +/-15% 47 ... 410Hz are standard. Factory set for required input voltage. ♦ 95 – 264Vac universal input option
Input Protection	Inrush current limiting Internal safety fuse
Isolation	2250Vdc input to chassis/output Output neutral is connected to the chassis internally. Floating output as option
EMI	EN55011 Class A conducted
Immunity	EN 61000-4
Output Waveform	Sinusoidal
Output Voltage	115Vac @ 60Hz or 400Hz/8.7A rms continuous; or 230Vac @ 50Hz/4.35A rms continuous Output neutral is connected to the chassis internally. Isolated floating output optional.
Harmonic Distortion	Less than 5% at 100% load.
Load Crest Factor	Maximum 2.5% at 90% load
Output Power	1000VA
Regulation	Line / Load: ±6% from 10% to 100% load step.
Output Noise	High Frequency ripple is better than 500mVrms (20MHz BW)
Protection	Current limiting with short circuit protection Self re-setting thermostat for thermal protection
Output Over Voltage Protection	Output voltage is limited by internal supply voltage
Efficiency	Typically 78%
Operating Temp	0°C to +50°C at rated load. Other options on request
Cooling	On Board Fans
Shock & Vibration	Basic ruggedizing
Humidity	5-95% non-condensing
MTBF	>95,000 hrs at 45°C
Connector	Input: compression type terminal block Output: standard AC receptacle Option: compression type terminal block
Dimensions	3U3 case: 187 x 132 x 407mm 19in Rack mount option
Weight	6kg

Features

- ♦ 115 or 230VAC output option
- ♦ 1000VA output power
- ♦ Frequency options 50Hz / 60Hz / 400Hz
- ♦ Sinusoidal output waveform
- ♦ Filtered input
- ♦ Rugged design for harsh environments
- ♦ Full electronic protection

Description

The **FC1K** AC/AC frequency converter system uses field proven microprocessor controlled high frequency PWM technology to generate the required output power with pure sine wave output voltage.

It is a mature design with a track record in numerous applications. The frequency converter is built with internal power modules.

The AC/DC input stage boosts the input voltage to a higher DC voltage, which feeds the DC/AC inverter to generate the required AC output. A built-in fan provides sufficient airflow for operation without de-rating to the specified temperature.

The high frequency conversion enables a compact construction, low weight and high efficiency.

The unit has full electronic protection. The input and output are filtered for low noise. The use of components with established reliability results in high MTBF.

Options (may not be available on all combinations)

Alarms	Output Fail Alarm: voltage free relay contacts
Remote Inhibit	Remote ON / OFF
Ruggedized	Conformal coating and Ruggedization for use in harsh environments.
Slow Start	Slow start up option for powering fans
Connector	A variety of terminals / connectors available to suit special customer requirements

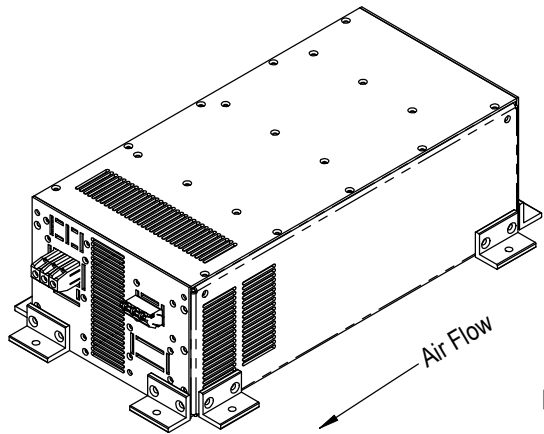
Model No Example:

FC500-EA = (230V 50Hz / 115V / 60Hz)

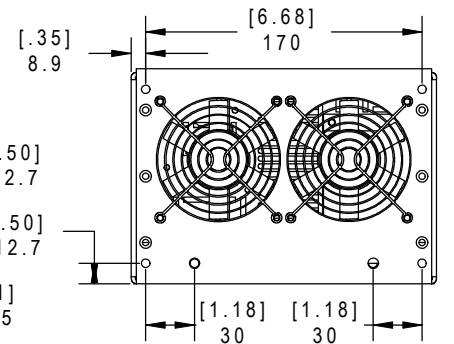
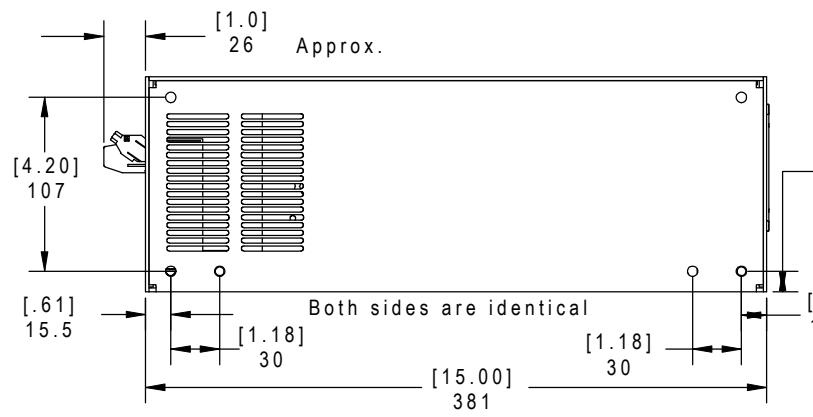
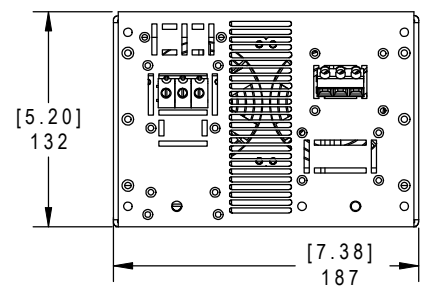
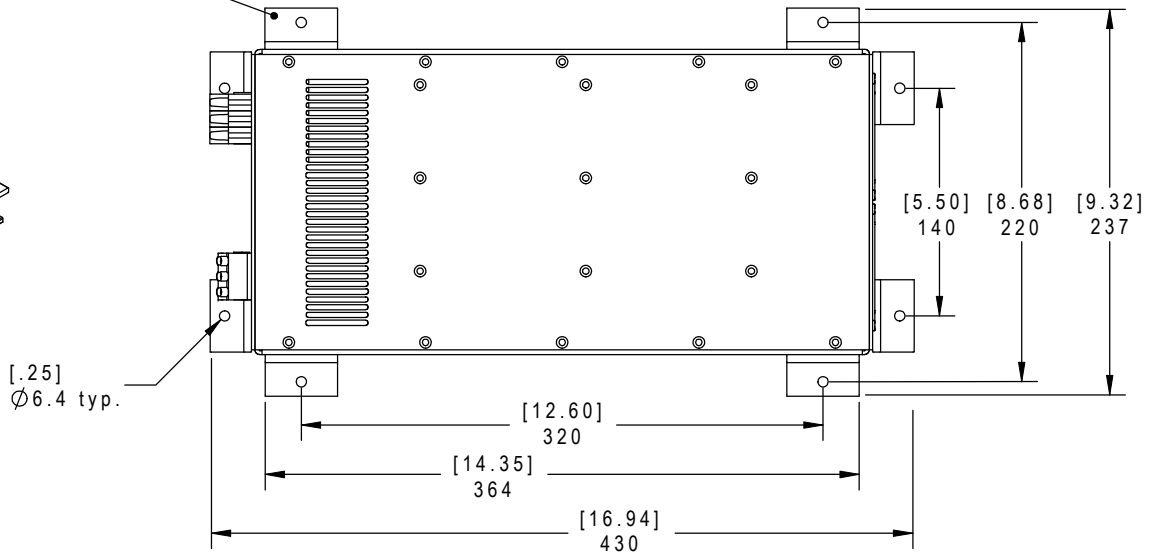
FC	Power	Input AC	Output AC	Factory Allocated
FC	1K	A = 115V 60Hz	A = 115V 60Hz	
		E = 230V 50Hz	E = 230V 50Hz	
		M = 115V 400Hz	M = 115V 400Hz	

1. Standard input / Output combinations are illustrated.
2. Non standard combinations are available on request
3. Final Part no will be allocated at time of order to reflect customer specifications and options.

Mounting brackets can be installed along short or long sides - 4 mounting brackets with fasteners are provided with the unit



Input / Output termination may vary, it depends on application



* M5 Threaded inserts for mounting brackets or for other mounting options
Maximum screw penetration is 10mm from outside surface of chassis

DIMENSIONS ARE IN MILLIMETERS
[INCHES] TOLERANCES ON
DECIMALS: XXX ± 0.2mm
XX ± 0.3mm
ANGLES ± 2°
FRACTIONS: ± 0.4mm
UNLESS OTHERWISE STATED



Title: OUTLINE DRAWING
Model No: 3U3 Package

www.heliosps.com