

# GWS 250 Series

## Single Output AC/DC Power Supplies: 250W



- Standby Power Draw < 0.5 Watt
- High Efficiency up to 93%
- Built to meet ErP
- 41 mm height (1U compatible)
- Convection Cooled
- 5V / 300mA Aux Supply
- Output Remote Programming
- Class C Harmonics (IEC 61000-3-2) above 25% Load
- Allows Use in Lighting Equipment
- Five Year Warranty

## GWS250 Series

Single Output 250W Power Supplies

### Key Market Segments & Applications

Targets all ErP compliant applications  
 Industrial, Traffic Controls, Automated Service, Kiosks  
 Test & Measurement, Entertainment Systems,  
 Communications & Broadcasting, LED Displays & Signage

### GWS250 Features and Benefits

#### Features

- Convection Cooling
- Programmable Output Voltage
- Peak Power Capability 120% (24 & 36V models)
- Average Active Efficiency @ 230V : 92.7%

#### Benefits

- Easier System Integration, No Audible Noise
- Broad Range of Applications
- Lower Cost, Smaller Size
- Easier System Cooling, Less Energy Used, High Reliability

### Specifications

ITEMS		MODEL	GWS250
AC Input Voltage		VAC	85 - 264VAC (300VAC for 5s)
Input Frequency		Hz	47 - 63Hz
DC Input Voltage		VDC	120 - 373VDC
Inrush Current (cold start)		A	20A at 115VAC, 40A at 230VAC
Power Factor	(1)	-	Meets EN61000-3-2 (Typical PF 0.98/0.95) ClassA, Class C> 25% Load
Input Current	(1)	A	3.0 / 1.4
Temperature Coefficient		°C	<0.02%/°C
Overcurrent Protection		-	>105% rated output power or >101% of peak output power
Overvoltage Protection	(2)	V	12V: 13.8 - 16.2V, 24V: 30.3 - 35.5V, 36V: 41.4 - 48.6V, 48V: 60 - 69.6V
Overtemperature Protection	(2)	-	Yes
Hold Up Time	(1)	ms	16ms
Leakage Current (Typ)		mA	0.75mA@230VAC
Remote Sense		-	No
Remote On/Off		-	Active Low
Standby Input Power	(3)	W	<0.5W
Aux Supply		-	5V/0.3A
Monitoring Signal		-	DC OK, open collector signal, High on Fail (Active Low)
LED Indicator		-	Green LED = On
Output Remote Programming		-	See installation manual for details
Operating Temperature		°C	-25°C to +70°C. (Refer to Output Derating Curve) Guaranteed Start Up at -40°C
Storage Temperature		°C	-30°C to +85°C
Operating Humidity		-	30 - 90% RH (non condensing)
Storage Humidity		-	10 - 95% RH (non condensing)
Cooling		-	Convection
Withstand Voltage		-	Input to FG 1.5kVAC (20mA), Input to Output 3kVAC (20mA), output to FG 500VAC (100mA) for 1 min
Isolation Resistance		Ω	>100MΩ at 25°C & 70%RH
Vibration (non operating)		-	10 - 55Hz: 19.6m/s <sup>2</sup> Constant sweep 1 min X, Y, Z for 1 hour each
Shock (in package)		-	< 196.1 m/s <sup>2</sup> (20G)
Immunity		-	Built to meet EN61000-4-2 (Level 2,3), -3 (Level 3), -4 (Level 3), -5 (Level 4), -6 (Level 3), -8 (Level 4), -11
Safety Agency Approvals		-	IEC/EN/UL/CSA 60950-1 and IEC/EN/UL/CSA 62368-1, CE Mark
Conducted & Radiated EMI		-	EN55032-B, CISPR22-B
Weight (Typ)		g	850
Size (L x W x H)		mm	198 x 105 x 41
Warranty		yrs	5

**Notes:** (1) 115 / 230VAC input (2) Recycle AC, or use remote on/off to reset (3) When remote off and 5V Aux supply @ no load

# GWS 250 Series

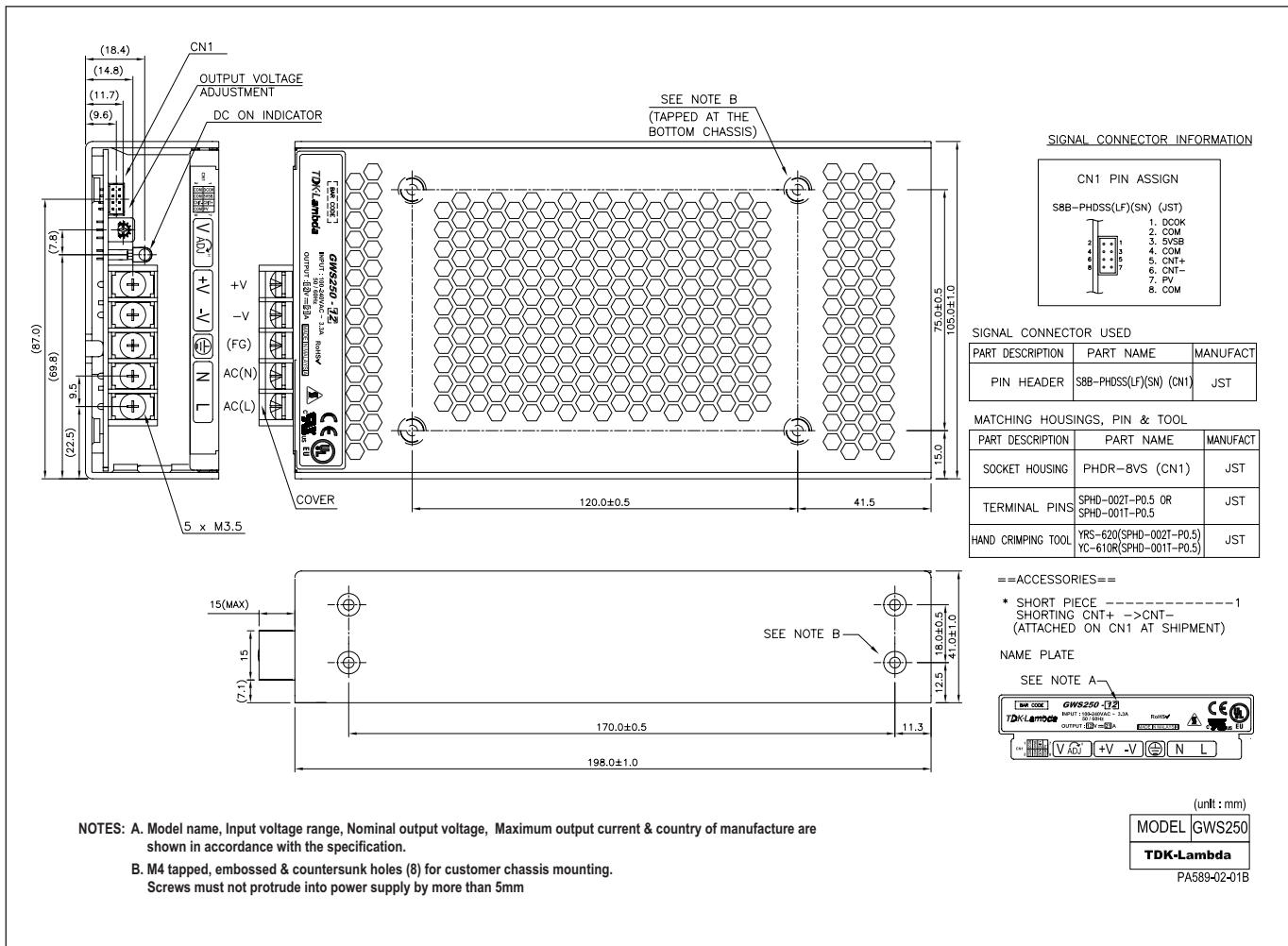
## Single Output AC/DC Power Supplies: 250W



Model Selector								
Model	Voltage (V)	Adjust Range (V)	Max Current (A)	Peak Current <sup>(1)</sup> DC (A)	Load Reg. (mV)	Line Reg. (mV)	Ripple Noise (mV)	Efficiency (typ) % (230VAC)
GWS250-12	12V	10.8 - 13.2	21	-	96	48	120	92
GWS250-24	24V	22 - 28.8	10.5	12.5	192	96	150	92
GWS250-36	36V	32 - 40	7	8.4	288	144	200	93
GWS250-48	48V	42 - 57.6	5.3	-	384	192	250	93

**Notes:** (1) Peak current 10seconds max. 35% duty cycle max.

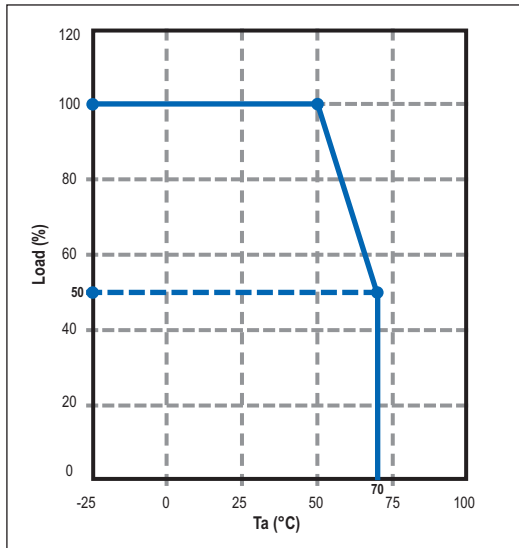
### Outline Drawing GWS250



# GWS 250 Series

## Single Output AC/DC Power Supplies: 250W

### Output Derating Curve GWS250



### Options

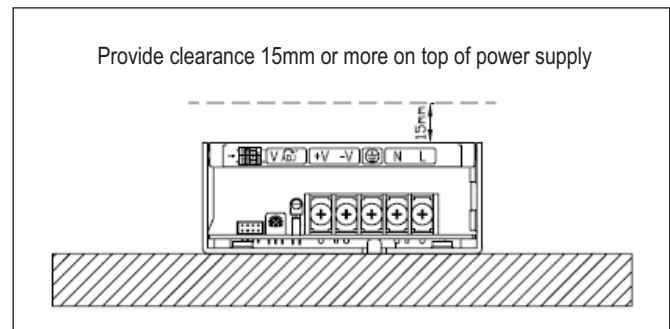
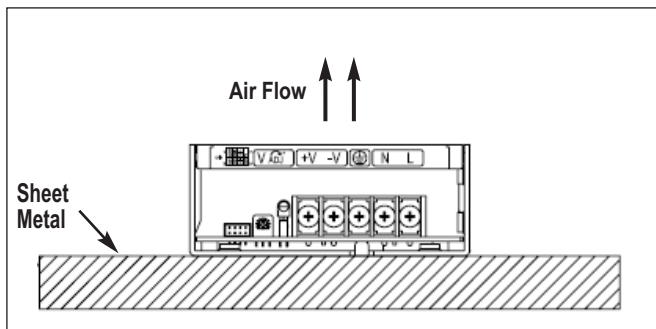
Suffix	Description
/T	OTP auto recovery after unit cools down
/RL	Remote ON/OFF reverse logic (Active High)
/BAT	Battery charging for 24V (21 -29V/8.8A) & 48V (42-58V/4.4A) only
/P	Power up to 350W with system airflow of 20cfm minimum and air blowing in from opposite side of input/output connectors
/L	Without cover

**Notes:** GWS250-XX/YYYYYYYYYYYY where **XX** can be 12, 24, 36, or 48  
**Y** option can be any combination of P, L, RL, CO, CO2, T, BAT, or blank

### MOQs apply to Option models

Please contact your local TDK-Lambda sales office for details.

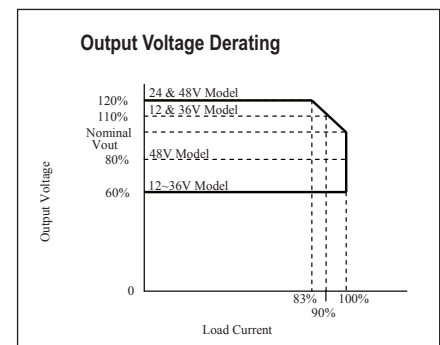
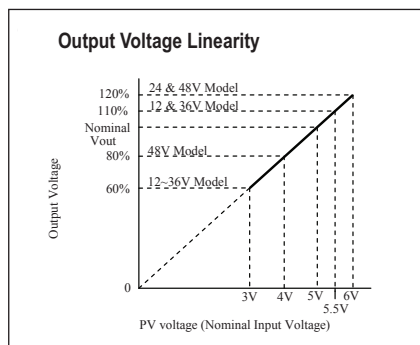
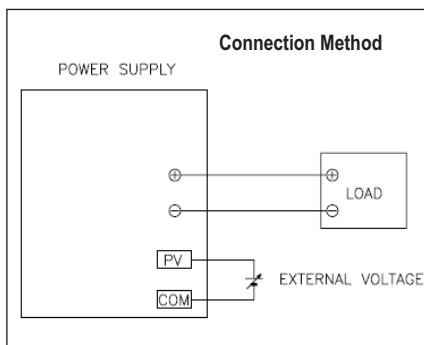
### Mounting Options GWS250 - For other mounting versions please refer to Instruction Manual



#### Mounting Method

- This is convection cooling type power supply. In consideration of the heat radiation and safety, please keep a distance of more than 15mm between the power supply and the peripheral parts. When lining up multiple units, please make sure to place them 5mm or more apart from each other
- Maximum allowable penetration of mounting screws into the power-supply is 5mm
- Recommended torque for mounting screws (M4): 1.27 Nm (13.0 kgf.cm)

### GWS250 Output Voltage External Control (PV)



Output voltage external control function is available. Output voltage can be varied by applying an external voltage (3-6V) to 'PV' and 'COM' terminals at signal connector CN1

Please consider the following characteristics.

#### Notes:

- For 12V & 36V output model, limit output voltage variation range at 60% - 110%. At PV voltage variation 3V - 5.5V
- For 24V output model, limit output voltage variation range at 60% - 120%. At PV voltage variation 3V - 6V
- For 48V output model, limit output voltage variation range at 80% - 120%. At PV voltage variation 4V - 6V