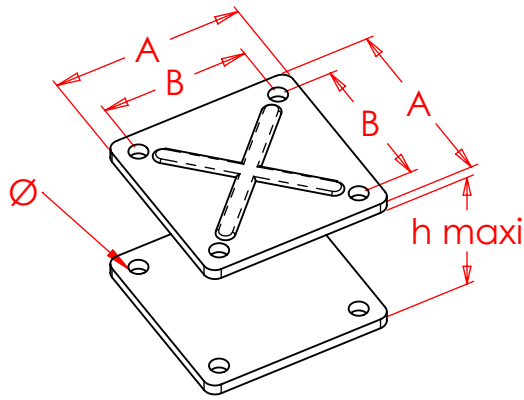


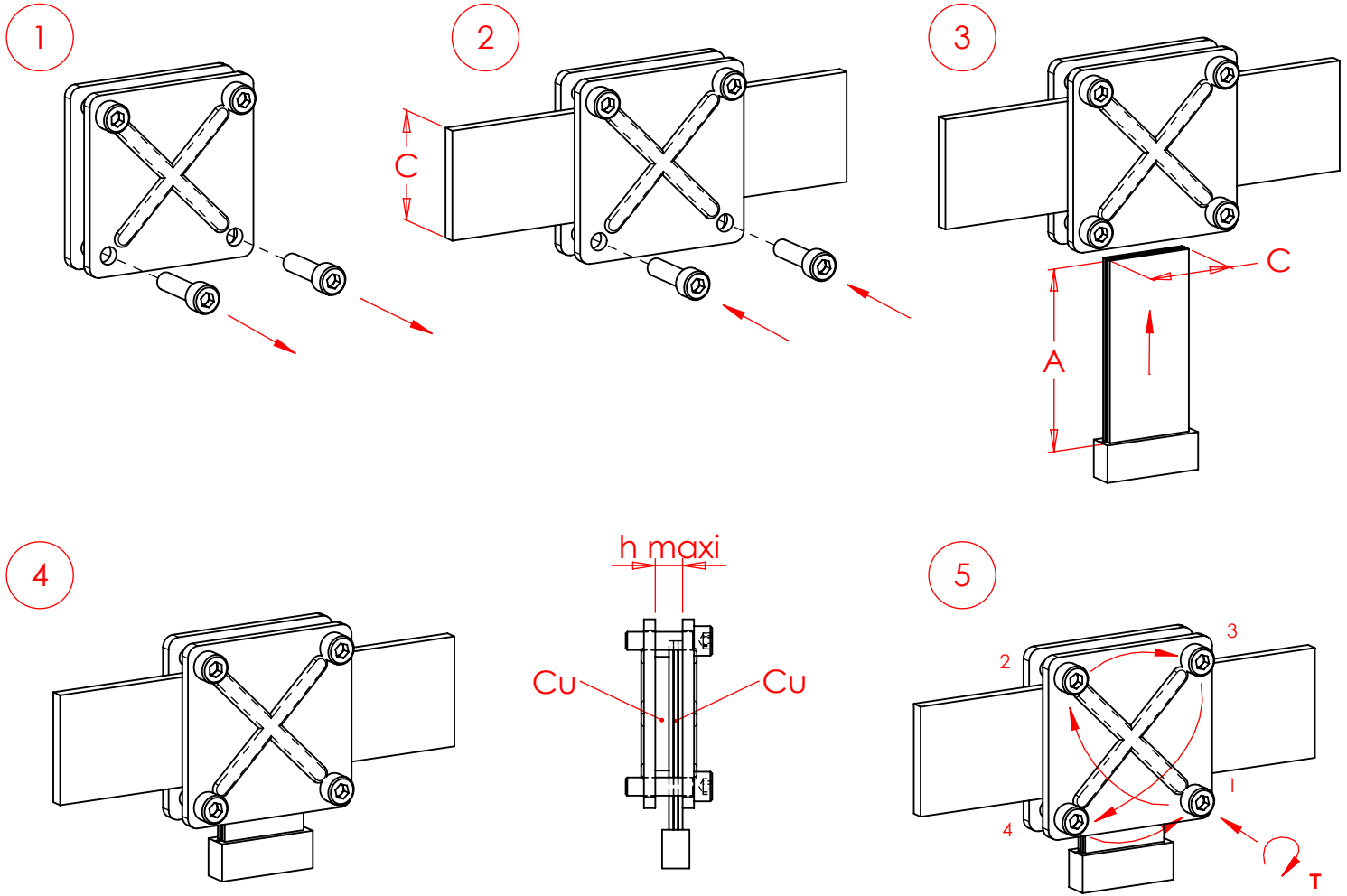
BC Ribbed Steel Busbar Clamp

nVent ERIFLEX Flexibar To Busbar

h maxi : 20mm



Code	Part number	A (mm)	B (mm)	C (mm)	Ø	Torque T (N.m)
BC30	553200	56 mm	42 mm	30 mm	M6	7 N-m
BC40	553210	66 mm	52 mm	40 mm	M6	7 N-m
BC50	553220	83 mm	64 mm	50 mm	M8	20 N-m
BC63	553230	93 mm	74 mm	63 mm	M8	20 N-m
BC80	553250	118 mm	96 mm	80 mm	M10	40 N-m
BC100	553260	144 mm	118 mm	100 mm	M10	40 N-m



WARNING:

- nVent products shall be installed and used only as indicated in nVent product instruction sheets and training materials. Instruction sheets are available at www.nVent.com and from your nVent customer service representative.
- nVent products must never be used for a purpose other than the purpose for which they were designed or in a manner that exceeds specified load ratings.
- All instructions must be completely followed to ensure proper and safe installation and performance.
- Improper installation, misuse, misapplication or other failure to completely follow nVent's instructions and warnings may cause product malfunction, property damage, serious bodily injury and/or death, and void your warranty.

SAFETY INSTRUCTIONS:

All governing codes and regulations and those required by the job site must be observed. Always use appropriate safety equipment such as eye protection, hard hat, and gloves as appropriate to the application.

nVent, nVent CADDY, nVent ERICO Cadweld, nVent ERICO Critec, nVent ERICO, nVent ERIFLEX, and nVent LENTON are owned by nVent or its global affiliates. All other trademarks are the property of their respective owners. nVent reserves the right to change specifications without prior notice.

TECHNICAL SUPPORT
www.nVent.com

IP8444_A

1 OF 1

© 2018-2019 nVent All Rights Reserved