

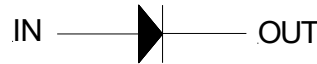
**FUNCTION**

For use as decoupling / redundancy diodes on the output of DC power supplies and battery chargers. Our Diodes can be integrated in 19" Rack.

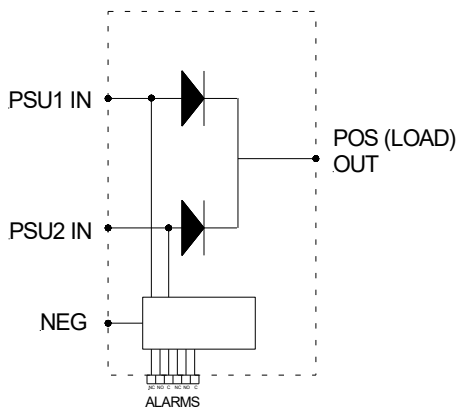
CODE	A	V <sub>max</sub>	Heatsink (LxW)	Comments
+P50S/ALONE	50	60	Wall mount	147W x 177D x 62H mm
+P50S/ALONE-110	50 +50	200	Wall mount	No alarms, 150W x 242D x 62H mm (positive inputs)
+P50S/ALONE-110R	50 +50	200	Wall mount	No alarms, 150W x 242D x 62H mm (negative inputs)
+P50S/ALONE-220	50 +50	400	Wall mount	No alarms, 150W x 242D x 62H mm (positive inputs)
+P100S/ALONE-12	50 +50	60	Wall mount	For redundancy, 2 x 12VDC fail alarms, 150W x 242D x 62H mm
+P100S/ALONE-24	50 +50	60	Wall mount	For redundancy, 2 x 24VDC fail alarms, 150W x 242D x 62H mm
+P100S/ALONE-48	50 +50	80	Wall mount	For redundancy, 2 x 48VDC fail alarms, 150W x 242D x 62H mm



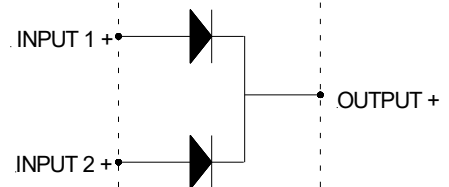
**P50S/ALONE**



**P100S/ALONE-xx  
(with alarms)**



**+P50S/ALONE-110  
+P50S/ALONE-220**



**+P50S/ALONE-110-R**

