



**The Flexible Solution**

Within a compact size of 2RU, the Model B2 features as standard a hot-swappable power module and integrated maintenance bypass enabling continuous power during servicing.

With up to 63A of three-phase or up to 125A single phase current capacity, this model is ideal for those needing more power in a small rack mount package.

**Key features**

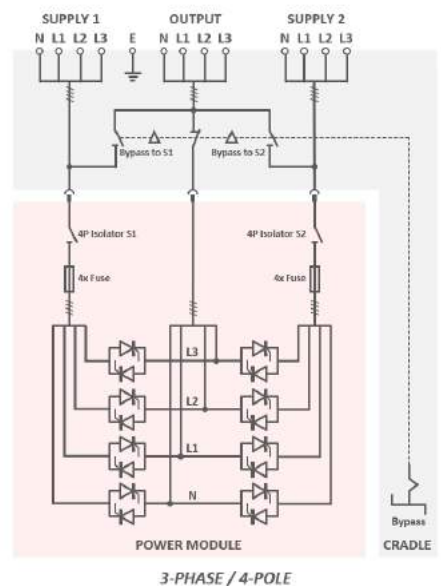
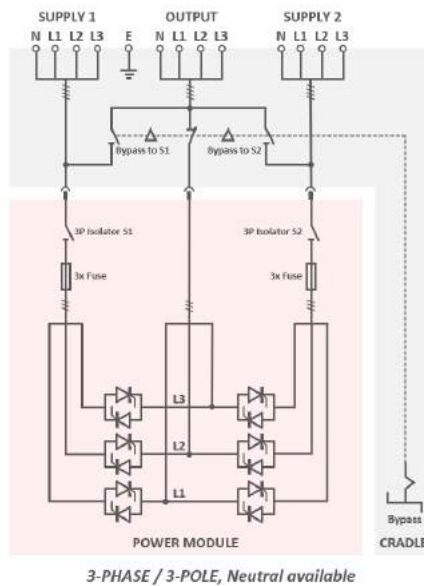
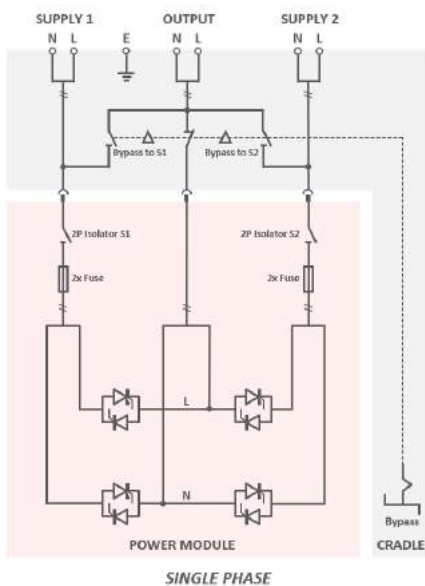
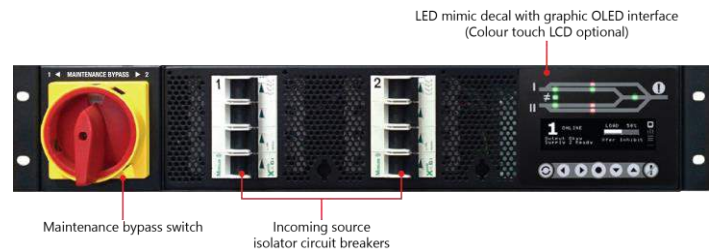
- Built-in transient voltage protection
- UPS Eco-Mode compatible
- Safe asynchronous source transfers
- Very high MTBF (>800,000 hours)
- LED mimic decal with graphic OLED interface
- One touch transfers
- Visual and sound alarm
- Integrated web server
- Remote operation
- High-level interface - MODBUS, SNMP
- Email alerts
- Clock synchronisation with NTP
- Integrated maintenance bypass with hot socket field replaceable power module
- Incoming source isolator switches
- Redundant fan cooling
- Fixed wiring to input & output terminals for cable up to 16mm<sup>2</sup>
- 5 x voltage free contacts & remote inputs
- Australian designed & manufactured



**REPLACEABLE POWER MODULE**

**Available options**

- Colour touch LCD interface
- Back feed contactors
- Wall mount bracket



<b>Current rating</b>	1Ph: 125A max 3Ph: 63A max
<b>Voltage rating</b>	All region-specific voltages selectable $\pm 10\%$
<b>Type</b>	1-Phase/2-Pole, 3-Phase/3-Pole or 3-Phase/4-Pole
<b>Frequency</b>	50Hz and 60Hz, $\pm 10\%$ - Auto detection
<b>Transfer type</b>	Break-Before-Make zero current transfer by Thyristors / SCR
<b>Synchronous break time</b>	<1ms - asynchronous break time up to $\frac{1}{4}$ cycle
<b>MTBF</b>	>800,000 hours
<b>Maintenance bypass</b>	Cradle with 3-position overlapping, no-break CAM switch
<b>Isolation</b>	Incoming sources isolator switches
<b>Display</b>	Bi-colour LED mimic decal with graphic OLED display and information interface
<b>Interface</b>	Preferred supply selection, Source transfer selection and Alarm cancel button
<b>Contact</b>	2 Self wetting transfer control inputs 5 Voltage free change-over status indicators, Form C
<b>Ethernet</b>	HTTP, SNMP, MODBUS TCP, Email & NTP
<b>Input options</b>	Fixed wiring to terminals up to 16mm <sup>2</sup> cables via glands
<b>Output options</b>	Fixed wiring to terminals up to 16mm <sup>2</sup> cables via glands
<b>Dimensions H x W x D</b>	2RU/19" - 88 x 483 x 460mm
<b>Weight</b>	16kg
<b>Temperature</b>	0 – 45°C
<b>IP rating</b>	IP31
<b>Detection</b>	Digital: <1ms
<b>Asynchronous break time</b>	0ms, 10ms, 50ms or Vt proportional, 0° to 180°
<b>Loading</b>	0 - 100% @45°C ambient
<b>Device ratings</b>	134A <sub>RMS</sub> , 1600V, 2kA 1 cycle
<b>Overload @40°C ambient</b>	125A for 30s      140A for 1s 250A for 0.1s      2kA for 1 cycle
<b>Fault current setting</b>	350% peak with load fault transfer inhibit
<b>Safe install environment</b>	20kA, 100A/200A internally fused
<b>Protection</b>	100A/200A fuses - BS88/FE100
<b>Power factor</b>	No practical limit
<b>Max THDV</b>	10% - Max allowable source voltage distortion
<b>Crest factor</b>	3.5 : 1
<b>dV/dt max</b>	800V/ $\mu$ s
<b>Cooling</b>	Redundant fans
<b>Humidity @40°C ambient</b>	5 – 95% non-condensing
<b>Regulatory approvals</b>	IEC 62310-1,2,3 - IEC 60950 - IEC 61000-6-1,2,3,4 – CE – RCM - UL Capable - RoHS
<b>Standard warranty</b>	24 months offsite repair or replacement policy

Specifications are subject to change without notice