



**The Compact Solution**

The Model B4 is a high-power capacity rack-mount static transfer switch with a hot-socket field replaceable power module.

This model is ideal for high power installations with the convenience of fitting into a standard 19" rack.

Perfectly adapted to large power surge or motor and transformer start up.

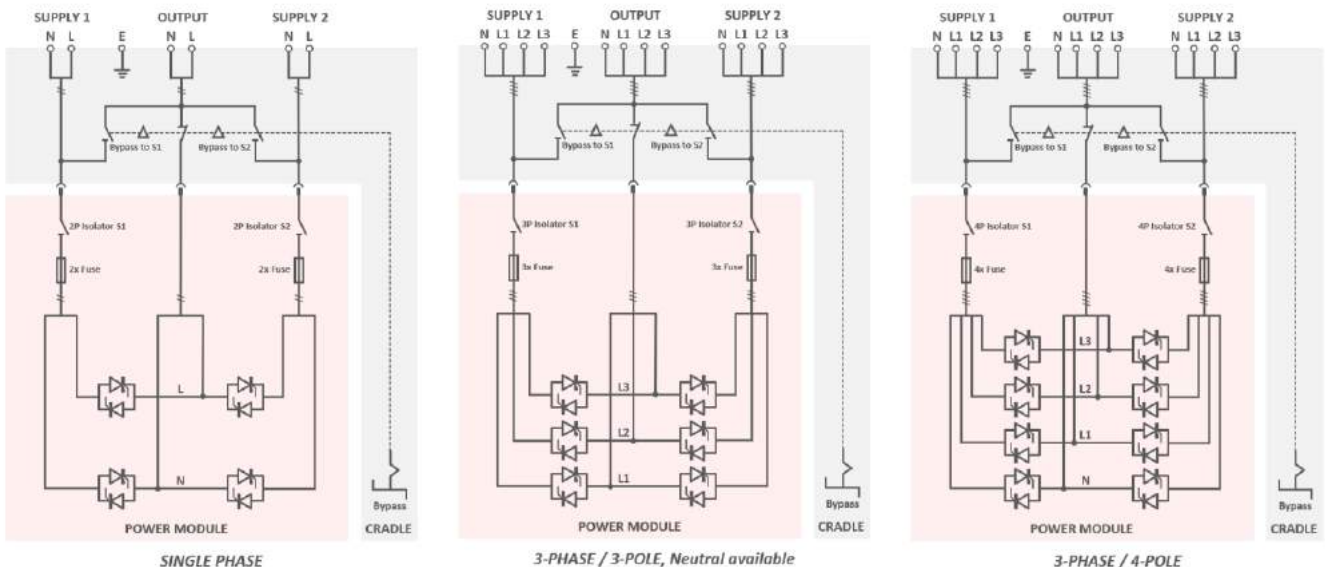
**Key features**

- Rack-mount 4RU Design
- Built-in transient voltage protection
- UPS Eco-Mode compatible
- Safe asynchronous source transfers
- Very high MTBF (>800,000 hours)
- LED mimic decal with graphic OLED interface
- One touch transfers
- Visual and sound alarm
- Integrated web server
- Remote operation
- High-level interface - MODBUS, SNMP
- Email alerts
- Clock synchronisation with NTP

- Incoming source isolator switches
- Integrated maintenance bypass with hot socket field replaceable power module
- Fixed wiring to input & output terminals for cable up to 70mm<sup>2</sup>
- 5 x Voltage free contacts & remote inputs
- Australian designed & manufactured

**Available options**

- Back feed protection contactors – up to 125A
- Wall mount bracket
- Colour touch LCD interface



<b>Current rating</b>	1Ph: 250A max 3Ph: 160A max
<b>Voltage rating</b>	All region-specific voltages selectable $\pm 10\%$
<b>Type</b>	1-Phase/2-Pole, 3-Phase/3-Pole or 3-Phase/4-Pole
<b>Frequency</b>	50Hz and 60Hz, $\pm 10\%$ - Auto detection
<b>Transfer type</b>	Break-Before-Make zero current transfer by Thyristors / SCR
<b>Synchronous break time</b>	<1ms - asynchronous break time up to $\frac{1}{4}$ cycle
<b>MTBF</b>	>800,000 hours
<b>Maintenance bypass</b>	Cradle with 3-position overlapping, no-break CAM switch
<b>Isolation</b>	Incoming sources isolator switches
<b>Display</b>	Bi-colour LED mimic decal with graphic OLED display and information interface
<b>Interface</b>	Preferred supply selection, Source transfer selection and Alarm cancel button
<b>Contact</b>	2 Self wetting transfer control inputs 5 Voltage free change-over status indicators, Form C
<b>Ethernet</b>	HTTP, SNMP, MODBUS TCP, Email & NTP
<b>Input options</b>	Fixed wiring to terminals up to 70mm <sup>2</sup> cables via glands
<b>Output options</b>	Fixed wiring to terminals up to 70mm <sup>2</sup> cables via glands
<b>Dimensions H x W x D</b>	4RU/19" - 177 x 483 x 650mm
<b>Weight</b>	38kg
<b>Temperature</b>	0 – 45°C
<b>IP rating</b>	IP31
<b>Detection</b>	Digital: <1ms
<b>Asynchronous break time</b>	0ms, 10ms, 50ms or Vt proportional, 0° to 180°
<b>Loading</b>	0 - 100% @45°C ambient
<b>Device ratings</b>	250/300A <sub>RMS</sub> , 1400V, 3.5kA/5kA 1 cycle
<b>Overload @40°C ambient</b>	125% for 10min      150% for 30s 200% for 1s          300% for 0.1s 5kA for 1 cycle
<b>Fault current setting</b>	350% peak with load fault transfer inhibit
<b>Safe install environment</b>	20kA, 300A internally fused
<b>Protection</b>	300A fuses – aR-NGT00
<b>Power factor</b>	No practical limit
<b>Max THDV</b>	10% - Max allowable source voltage distortion
<b>Crest factor</b>	3.5 : 1
<b>dV/dt max</b>	800V/ $\mu$ s
<b>Cooling</b>	Redundant fans
<b>Humidity @40°C ambient</b>	5 – 95% non-condensing
<b>Regulatory approvals</b>	IEC 62310-1,2,3 - IEC 60950 - IEC 61000-6-1,2,3,4 – CE – RCM - UL Capable - RoHS
<b>Standard warranty</b>	24 months offsite repair or replacement policy

Specifications are subject to change without notice