

# DCW100 ~ 200 SERIES

DC/DC Converters Single Output: 100 ~ 200 Watts



## Features

- Wide input range: **20 ~ 60VDC, 65 ~ 160VDC**
- Convection cooled: No fans
- Three power levels: 100, 150 & 200 watts
- Fully isolated input – output
- Over voltage & short circuit protection
- Built-in DC Fail Alarm
- MTBF > 150,000hrs
- Specials input / output combinations on request.
- Any output from 12vdc ~ 120vdc possible
- Customised mechanical solutions on request
- **Rack mounting option**

<b>Input Voltage</b>	<b>24 / 48VDC</b> ( 20 ~ 60 ) <b>72 / 110VDC</b> ( 65 ~ 160 )
	• Other voltages on request
<b>Input Protection</b>	Reverse polarity protection. Inrush current limiting Thermal Fuse
<b>Isolation</b>	Input - Output 1500 vdc Input – Chassis 1500 vdc Output – Chassis 500 vdc
	• Other options on request
<b>Efficiency</b>	Model dependent , typically 83%
<b>Switching Freq.</b>	50kHz
<b>Output voltage</b>	Any voltage from 12 to 50VDC
<b>Output Power</b>	100 ~ 200 watts
<b>Voltage adjustment</b>	-1%~+15% other options on request
<b>Parallel Operation</b>	DCW150 & DCW200 only suitable for <b>N+1 Redundancy</b> .
<b>Line Regulation</b>	±1% over input range
<b>Load Regulation</b>	±2% from no load to full load.

<b>Output Protection</b>	<ul style="list-style-type: none"> <li>• Over voltage protection</li> <li>• Current limiting with hiccup mode.</li> <li>• Thermal protection</li> </ul>
<b>Short Circuit Protection</b>	Current limiting with hiccup mode
<b>EMI</b>	EN55022 class A
<b>Immunity</b>	EN61000-4
<b>Output Ripple &amp; Noise</b>	1% pk-pk maximum of output voltage setting
<b>Operating Temp.</b>	0°C to +50°C at full load. Derate 2.5% per °C from 50° -70°C.
<b>Humidity</b>	10-95% non-condensing ( Conformal Coating optional )
<b>Cooling</b>	Conduction cooled or Convection cooled.
<b>Output Alarm</b>	Yes - DCW150 & DCW200 only
<b>Terminals</b>	Screw- type terminal block ( other options on request )
<b>Dimensions &amp; Weight</b>	100W: 87 x 155 x 50mm 560g 150W: 198 x 112 x 51mm 900g 200w: 254 x 113 x 58mm 1.13kg

Model	Input V	Output V	Output A	Power W
DCW100-12FT	20 ~ 60V	12V	8A	96W
DCW100-24FT	20 ~ 60V	24V	4A	96W
DCW100-48FT	20 ~ 60V	48V	2A	96W
DCW150-12FT	20 ~ 60V	12V	12A	144W
DCW150-24FT	20 ~ 60V	24V	6A	144W
DCW150-48FT	20 ~ 60V	48V	3A	144W
DCW150-110FT	20 ~ 60V	110V	1.4A	150W
DCW200-12FT	20 ~ 60V	12V	16A	192W
DCW200-24FT	20 ~ 60V	24V	8A	192W
DCW200-48FT	20 ~ 60V	48V	4A	192W
DCW200-110FT	20 ~ 60V	110V	1.8A	200W

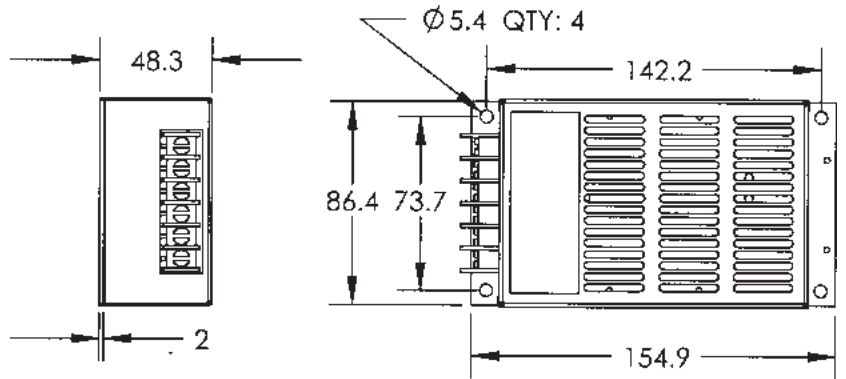
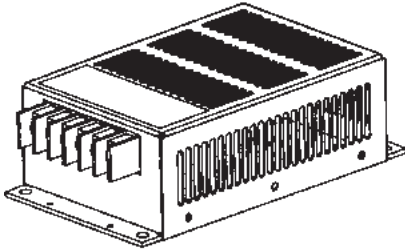
Model	Input V	Output V	Output A	Power W
DCW100-110-12FT	110V	12V	8A	96W
DCW100-110-24FT	110V	24V	4A	96W
DCW100-110-48FT	110V	48V	2A	96W
DCW150-110-12FT	110V	12V	12A	144W
DCW150-110-24FT	110V	24V	6A	144W
DCW150-110-48FT	110V	48V	3A	144W
DCW200-110-12FT	110V	12V	16A	192W
DCW200-110-24FT	110V	24V	8A	192W
DCW200-110-48FT	110V	48V	4A	192W

- **Other output voltage options on request**

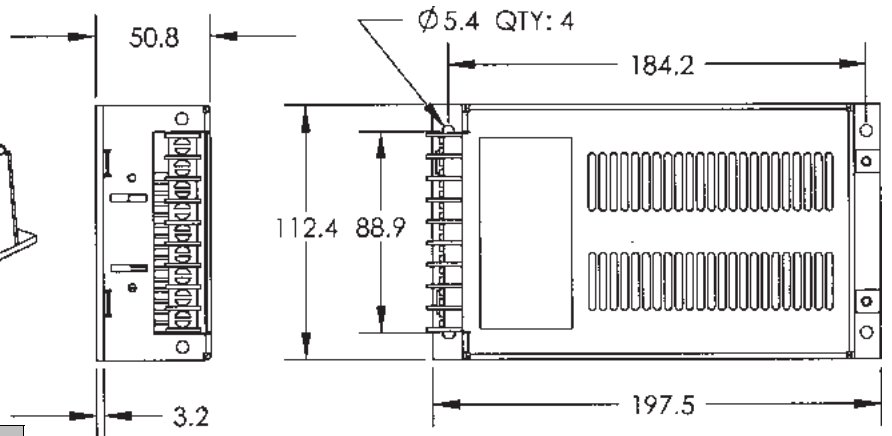
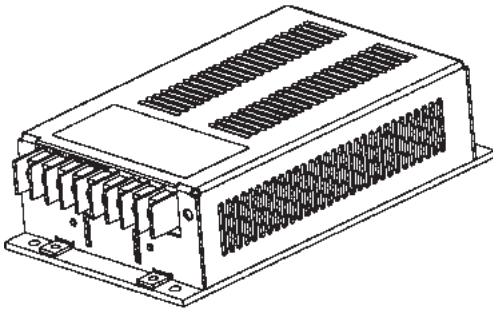
# DCW100 ~ 200 SERIES

DC/DC Converters Single Output: 100 ~ 200 Watts

## DCW100



## DCW150



DCW150 Series								
DC OUTPUT			ALARM			DC INPUT		
+	--	+	Fail	Com	Fail	⏏	--	+
Direct	Return	Redundant	Open		Close		8	9
1	2	3	4	5	6	7		

## DCW200

