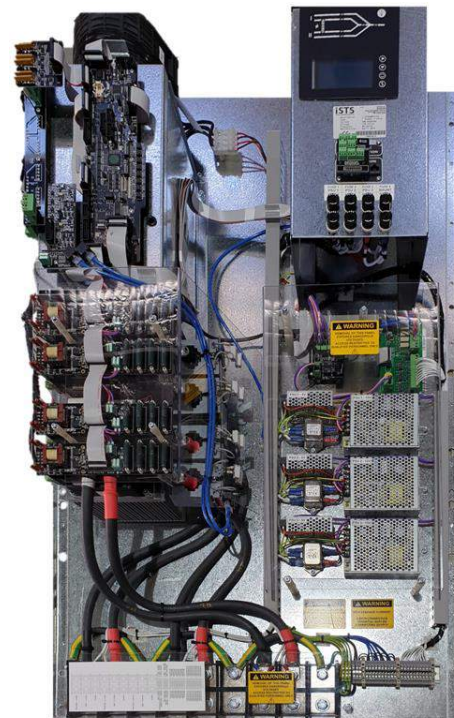


Static Power’s panel mount iSTS are dedicated to applications requiring a high level of reliability. iSTS P is designed to be integrated in 3rd party switchboard or enclosure and is adaptable to all specific requirements.  
Contact us for more information on iSTS P.

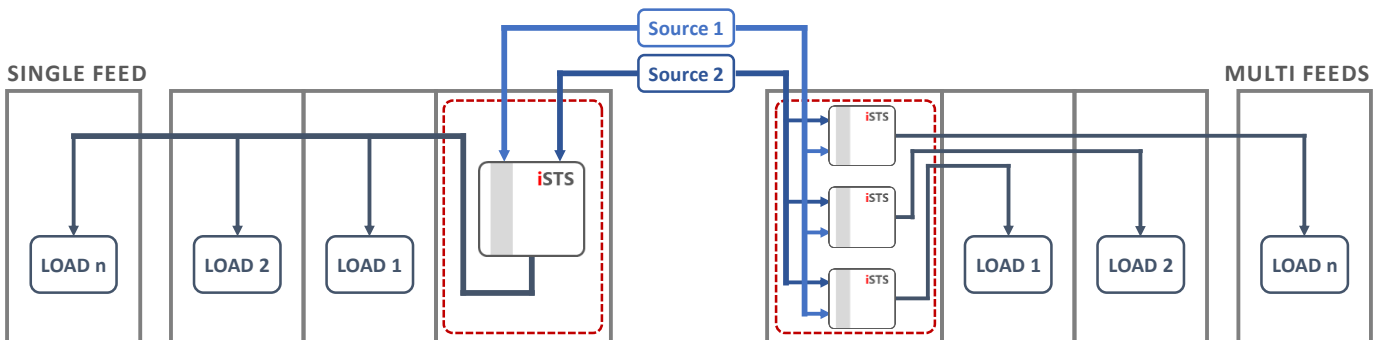
**Key features:**

- True solid state, Break-Before-Make transfer
- Transfer time: <1ms to ¼ cycle
- Single or Multi-feeds
- Adaptable dimensions
- Adaptable Inputs/output connexions
- w/o protections or Customer's preferred
- Automation



**Single or Multi-Feeds:**

iSTS P can be provided as a single feed panel – one iSTS supplying many loads – or, to reduce further risk of failure, as a multi-feeds panel – many iSTS supplying one load each



<b>Current rating</b>	<b>63A</b>	<b>250A</b>	<b>630A</b>	<b>1600A</b>
<b>Voltage rating</b>	All region-specific voltages selectable $\pm 10\%$			
<b>Frequency</b>	50Hz and 60Hz, $\pm 10\%$ - Auto detection			
<b>Type</b>	1-Phase/2-Pole or 3-Phase/3 or 4-Pole			
<b>Protection</b>	Fuseless, by circuit breakers			
<b>Loading</b>	0 - 100% @ 45°C ambient			
<b>Device ratings (1 cycle)</b>	700 <sub>ARMS</sub> @10kA	1300 <sub>ARMS</sub> @20kA	1750 <sub>ARMS</sub> @28kA	2650 <sub>ARMS</sub> @34kA
<b>Overload @40°C ambient</b>	125% for 10min 150% for 30s 500A for 1s 2kA for 0.1s	125% for 10min 150% for 30s 1kA for 1s 7.2kA for 0.1s	125% for 10min 150% for 30s 3.5kA for 1s 10kA for 0.1s	125% for 10min 150% for 30s 5kA for 1s 12.5kA for 0.1s
<b>Fault current setting</b>	>350% peak with load fault transfer inhibit			
<b>Safe install environment</b> <i>*Higher Fault Current available</i>	10kA for 1 cycle*	20kA for 1 cycle*	28kA for 1 cycle*	35kA for 1 cycle*
<b>Power factor</b>	No practical limit			
<b>Max THDV</b>	10% - Max allowable source voltage distortion			
<b>Crest factor</b>	3.5 : 1			
<b>dV/dt max</b>	800V/ $\mu$ s			
<b>MTBF</b>	800,000h			
<b>Maintenance bypass</b>	Integrated in Panel or without			Without or External to Panel
<b>Maintenance Bypass Type</b>	5 Mechanically interlocked circuit breakers			
<b>Source and Output Isolation</b>	Integrated in Panel or without		Without or External to Panel	
<b>Connexions</b>	Terminals M8 Up to 95mm <sup>2</sup>		Copper bars Up to 2 x 120mm <sup>2</sup>	Copper bars Up to 2 x 300mm <sup>2</sup>
<b>Cable Entry - Exit</b>	Top or bottom			
<b>Transfer type</b>	Break-Before-Make zero current transfer by Thyristors / SCR			
<b>Synchronous break time</b>	Typically less than 1ms - Synchronous break time up to ¼ cycle			
<b>Detection</b>	Digital: <1ms			
<b>Asynchronous break time</b>	Settable 0ms, 10ms, 50ms or Vt proportional, 0° to 180°			
<b>Display</b>	Bi-colour LED mimic decal with graphic backlit LCD display and information interface			Colour 7" display and information interface
<b>Controls</b>	Preferred supply selection, Source transfer selection and Alarm cancel button			
<b>Contact</b>	2 Self wetting transfer control inputs and 5 Voltage free change-over status indicators, Form C			
<b>Ethernet</b>	HTTP, SNMP, MODBUS TCP, Email & NTP			
<b>Dimensions H x W x D in mm</b>	1Ph: H800 x W580 x D250 3Ph: H1000 x W580 x D250	H1200 x W715 x D250	H1600 x W760 x D300	H1720 x W760 x D300
<b>Weight</b>	1Ph: 60kg - 3Ph: 75kg	1Ph: 70kg - 3Ph: 100kg	1Ph: 80kg - 3Ph: 115kg	1Ph: 200kg - 3Ph: 245kg
<b>Temperature</b>	0 – 45°C			
<b>IP Rating</b>	IP00			
<b>Cooling</b>	Redundant fans			
<b>Humidity @40°C ambient</b>	5 – 95% non-condensing			
<b>Applicable Standards</b>	IEC 62310-1,2,3 - IEC 60950 - IEC 61000-6-1,2,3,4 – CE – RCM - UL Capable - RoHS			
<b>Standard warranty</b>	24 months offsite repair or replacement policy			

Specifications are subject to change without notice