



Small, modular and reliable UPS solution to secure AC loads from 3 to 12 kVA!

Telecom
 Datacom
 Mass transport
 Industry
 Power Utilities
 Renewable



Description

Based on our most reliable converters, this rack solution can be used to secure your **AC loads** with the most **compact** and **reliable** solution on the market.



This solution is compatible with 230 Vac loads and 48 Vdc batteries (Lead-acid or NiCd). The **modularity** allows to increase the power output step-by-step from 3 to 12 kVA. Fully equipped, this rack system can reach the **power density** of 12 kVA in only 2U high offering the highest one in the market.

The reliability of such a system, based on CE+T Power modular inverters leading technology, is incomparable with small power UPS.

Includes:



Flexa 25 - 230/230



Inview S - Monitoring

Rack integration:

The **complete solution** offers, in only **5U high**, the converters, the AC distribution, the manual by-pass and the monitoring solution (Inview S). Simply connect your batteries and your loads and the all-in-one solution is ready to secure your most critical assets! You then have the choice to size the batteries according to the backup time you require.



The system is designed for harsh environment **operating up to 60°C** (with a derating starting at 40°C). Despite the high conversion efficiency of the modules, the thermal design has been studied to optimize passive cooling. As a result, you only need to dissipate one-third of the remaining heat in your integrated solution.

Last but not least, the solution has been developed to offer the **best cost/watt ratio**.

Applications:

- Telecom (core sites, edge computing and base stations)
- Datacenters
- Mass transport
- Industrial
- Power utility
- Oil & Gas
- Marine
- Off-Shore
- And many others

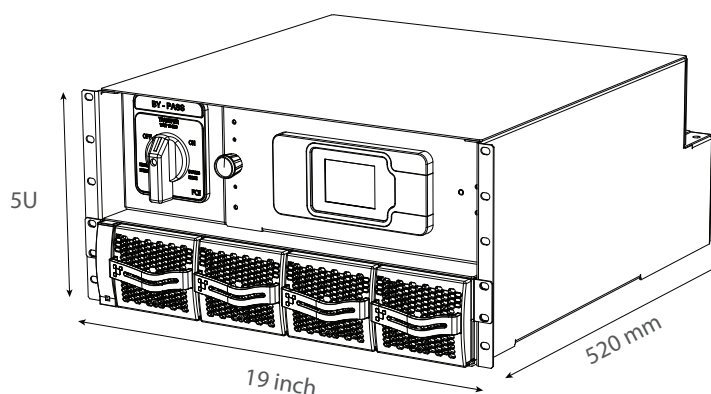
Key features:

- UPS for AC loads
- Modular (3 kVA to 12 kVA)
- High power density (only 5U high)
- EMC/EMI compliance
- Harsh environment
- Hot-swappable capacity
- Compact, easy to install and operate
- User-friendly monitoring

Illustrations are non-binding and may include customized fittings.

Single phase 19" rack mount AC UPS, from 3 to 12 kVA

| | 3 kVA | 6 kVA | 9 kVA | 12 kVA |
|---|---|----------------------|----------------------|----------------------|
| General | | | | |
| Part Number | S72A73E01045C100J001 | S72A73E02045C100J001 | S72A73E03045C100J001 | S72A73E04045C100J001 |
| Ingress Protection | IP20 | | | |
| Cooling | Forced cooling | | | |
| Operating T° | -20 to + 40°C derating from 40 to 60°C | | | |
| Manual By Pass | Included | | | |
| Power | | | | |
| AC Input Data | | | | |
| Voltage range AC | 150 to 265 Vac L-N single phase | | | |
| Nominal current @100% load and 230VAC | 11.7 A | 23.4 A | 35.1 A | 46.8 A |
| Frequency | 47-53Hz / 57-63Hz | | | |
| Power factor | >0.99 | | | |
| AC Input breaker | 63A 2 Poles | | | |
| AC Output Data | | | | |
| Voltage range AC out | 220-240 Vac L-N single phase adjustable | | | |
| Output Power | 3 kVA / 2.4 kW | 6 kVA / 4.8 kW | 9 kVA / 7.2 kW | 12 kVA / 9.6 kW |
| Frequency | 50Hz , 60 Hz ±0.1% | | | |
| AC output breaker | 63A 2 Poles | | | |
| DC Data (Battery) | | | | |
| Nominal voltage (range) | 48 Vdc (40 - 60 Vdc) | | | |
| Battery breaker | 300A for 1 string | | | |
| Recharge time for 30 min backup @ 100% load | 6 to 8 hours for 80% battery capacity | | | |
| Signaling & Supervision | | | | |
| Display | Synoptic LED on Modules and 2.8" touch screen in Inview S | | | |
| Supervision | Inview S | | | |
| Communication | ETH, SNMP, MODBUS over IP | | | |
| Alarm relay | Form C dry contact Major + Minor + 6 relay configurable | | | |
| System | | | | |
| Width x Height x Depth | 19 Inch x 5U x 520 mm | | | |
| Weight without modules | 23 kg | | | |
| Safety & EMC | | | | |
| Safety | EN/IEC 62040-1 | | | |
| EMC | EN/IEC 62040-2 | | | |
| Performances | EN/ IEC62040-3 | | | |



Flexa – Subrack System – Datasheet v1.2 Specifications can change without notice. New data will be updated on our website: www.heliosps.com