

HPS-iSURFACE-S3

User Manual

Surface Mount Static Transfer Switch

CONTENTS

1. SAFETY INSTRUCTIONS	2
1.1 Introduction	2
1.2 Transport, Storage, Unpacking	2
1.3 Installation	2
1.4 Fire Regulation	3
1.5 Standards Applied & Conformity	3
1.6 Warranty	3
2. SYSTEM OVERVIEW & OPERATION	4
2.1 Description	4
2.2 Overview	4
2.3 Operational Parameters	5
2.4 Line Diagram: Single Phase and 2 Phases, Common Neutral	5
2.5 Line Diagram: 3 Phases, Neutral available and not switched	6
2.6 Line Diagram: 3 Phases, Neutral switched	6
3. OPERATION	7
3.1 Safety	7
3.2 Synchronism	7
3.3 Start-up	8
3.4 Installation	9
3.5 Cable Termination to the iSTS	11
4. USER INTERFACE	13
4.1 Mimic Display	13
4.2 Remote Connection Port	14
4.3 Preferred Switch	15
4.4 Override Switch	15
4.5 Input Breakers Tripping Port	15
4.6 Confirm Operation	16
5. WEB BROWSER INTERFACE	17
5.1 Connection to a Network	17
5.2 Connecting to a PC	17
5.3 Connecting to the Web Server	18
5.4 Control Panel	19
5.5 Email	21
5.6 Advanced Settings	22
5.7 Input Steady State Settings	23
5.8 Input Transient Settings	24
5.9 Output Settings	25
6. FAULT DIAGNOSIS	27
6.1 Fault Codes	27
6.2 Load Fault	27
7. RECOMMENDED MAINTENANCE SCHEDULE	28
8. SPECIFICATIONS	29

1. SAFETY INSTRUCTIONS

1.1 Introduction

Some aspects of this manual contents may differ to the equipment as supplied due to technical improvements, specific model variations etc. If in any doubt in respect to the procedures and safety issues consult the manufacturer and do not proceed until clarification is received.

This manual contains important instructions that should be followed and fully understood before proceeding and commissioning and operation to prevent harm to personnel and equipment.

Installation and commissioning should be carried out only by qualified and experienced electricians. The iSTS should be operated by technically qualified personnel that are authorized, experienced, and have knowledge and understanding of the equipment and the critical loads, using the documented procedures.

Read this whole document thoroughly. Understand every aspect before proceeding. Request further assistance if you do not understand any aspect of the operation of the iSTS. Support and contact numbers are at the end of the manual.

These instructions cover normal operation in the automatic as well as in manual modes. Special operating conditions, such as short circuit tests, input supplies, etc., are not covered in this document. These operations require comprehensive knowledge of the overall system and should be carried out by properly qualified, skilled, and competent service personnel only.

1.2 Transport, Storage, Unpacking

Procedure for Receiving Shipment:

- If the ShockWatch indicator is RED, it does not mean that damage has occurred, it only indicates that the carton received an impact or movement. If the indicator on the label is RED, make a notation to that effect on the bill of lading or delivery receipt or document. Examine contents immediately for possible damage. If damage is discovered, inform carrier immediately and follow normal procedure for a carrier inspection and filing of a concealed damage claim.
- If the packaging is damaged unpack carefully and inspect the unit. We recommend that if there is any sign of mechanical damage that the unit not be powered up; but, returned for re-processing.
- If damage is discovered, inform carrier immediately and follow normal procedure for a carrier inspection and filing of a concealed damage claim to the courier or your insurance company.
- Take a picture of the carton and contents as a record.
- If the packaging is OK, then please keep the packaging in a secure place in case the unit needs to be returned for repair.

1.3 Installation

The following instructions are provided for the personal safety of operators and for the protection of the described product and connected equipment.

- Observe the prescribed accident prevention and safety rules for the specific application.
- When installing the iSTS strictly observe all information on technical data and operating conditions. Comply with all warnings, and strictly follow the procedures and practices as described in this manual.
- This iSTS is intended to be used in a controlled indoor environment and free of conductive contaminants and protected against animal intrusion.
- It is important that the unit has adequate ventilation. Maintain air movement around and through the unit. Do not block the air vents or restrict airflow over the heatsinks.
- The unit must be placed in a sufficiently ventilated area; the ambient temperature should not exceed 45°C (113°F).

- Do not install the iSTS in an excessively humid environment or near water, relative humidity should not exceed 90% at 20°C (68°F).
- Avoid spilling liquids or dropping any foreign object into the iSTS.
- Once the connections have been made on the terminals, all terminal covers must be replaced before operation.
- Connecting cables must be supported.
- Earth connection must be checked for safe function after assembly.

1.4 Fire Regulation

Should a fire break out inside the system a fire extinguisher with CO2 or similar non-conductive, non-corrosive and inert gas must be used. Do not inhale vapours.

1.5 Standards Applied & Conformity

The iSurface S3 conforms to the following standards and European Council Directives:

Standards to which conformity declared:

- IEC 60950-1 Information technology equipment Safety - General requirements
- IEC 62310-1 Static transfer systems (STS) - General and safety requirements
- IEC 62310-2 Static transfer systems (STS) - Electromagnetic compatibility (EMC) requirements
- IEC 62310-3 Static transfer systems (STS) - Part 3: Method for specifying performance and test requirements

Application of Council Directives:

- 2006/95/EC Low Voltage Directive
- 1992/31/EEC EMC Directive
- 1993/68/EEC EMC Directive amendments
- 2011/65/EU Hazardous substances in electrical and electronic equipment - RoHS

Year of CE marking: 2015-2016



The Standards mentioned above fulfil the requirements for CE marking

1.6 Warranty

Static Power operating through its authorised agents warrants that the standard products will be free of defects in materials and workmanship for a period of 24 months after the date of invoice, or such other period as may be specified.

This warranty does not cover failures of the product which result from incorrect installation, misuse, alterations by persons other than authorized agents or abnormal operating conditions.

2. SYSTEM OVERVIEW & OPERATION

2.1 Description

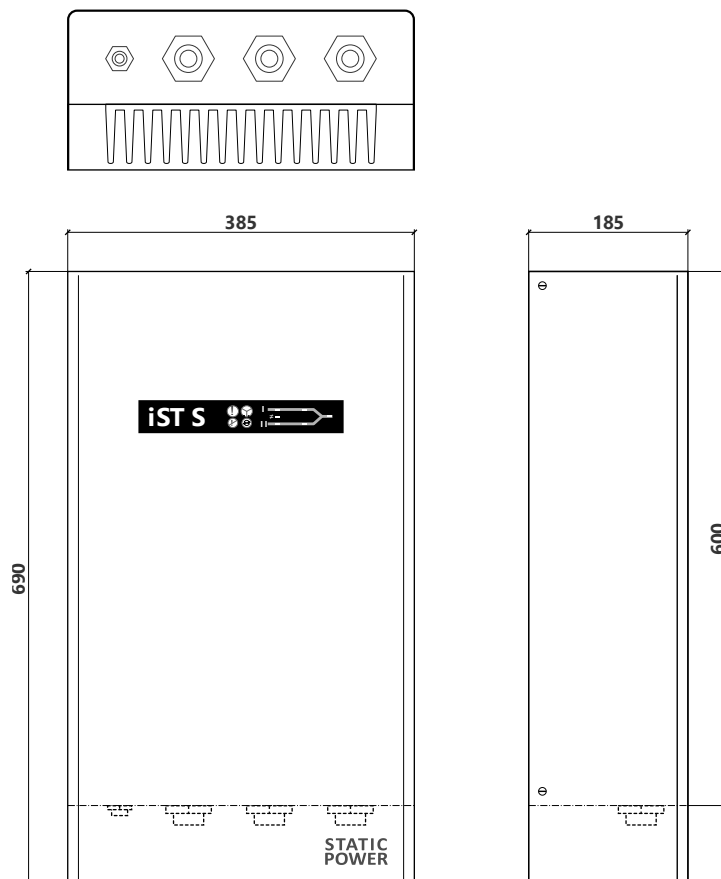
A Static Transfer Switch (STS) provides seamless switching between two power sources to provide uninterrupted power to a critical load.

The iSTS continuously monitors the supply sources for failure or degeneration and switches automatically to the alternate source as required to protect the load against failure. The break in the supply transition is so short that it is not seen by the critical load. This switching process is undertaken as a break before make transfer, preventing overlapping which can cause large and unpredictable currents. In 2 and 4-pole models, all the active conductors and the neutral are switched. In 3-pole models, only the active phases are switched. Thyristors are used to undertake the switching process. In the case of downstream load fault conditions, the fault current drawn from the supply may degrade or damage the supply sources; as a consequence should a fault current exist in the load the iSTS will inhibit a transfer to the alternate source even if this causes source supply degradation or loss. This is to ensure that the fault will not be transferred to the alternate supply with the possibility of degrading both sources.

The current threshold for isolation is pre-set to approx. 300% of the rated current.

This unit contains fuses. The fuses are to provide for safe operation even in high fault capacity environments. It should be noted that the fuses are for the protection of the semiconductor switches (SCRs/ Thyristors), not the load. The iSTS does not have any automatic tripping devices, so load discrimination is undertaken in the primary and secondary supply networks.

2.2 Overview



2.3 Operational Parameters

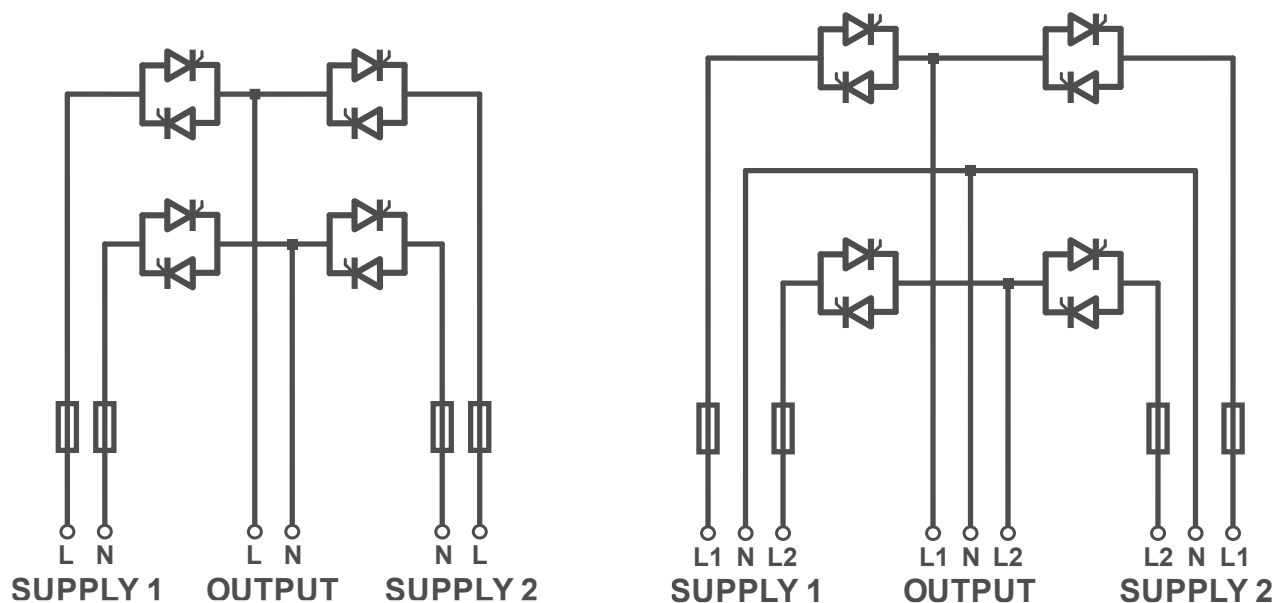
Absolute Maximum Values	Min	Max
Input Voltage	110VAC	300VAC/530VAC
Load Current	-	32A to 250A
Input Synchronisation	-180°	+180°
Ambient Temperature	0°C	+45°C

Recommended Values	Min	Max
Input Voltage	110VAC	177VAC/480VAC
Load Current	0.5A*	63A to 250A
Input Synchronisation	-15°	+15°
Ambient Temperature	0°C	+45°C

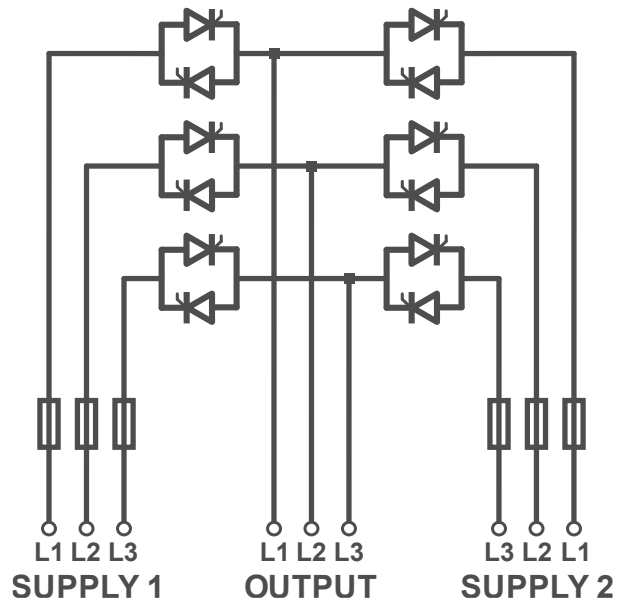
*Due to the nature of the silicone-controlled rectifiers used in all static transfer switches, some current must be applied to the iSTS to ensure a clean break during transfers.

Overload Capacity @40°C	Time
125%	10min
150%	30s
200%	1s
300%	0.1s
5000A	1 Cycle

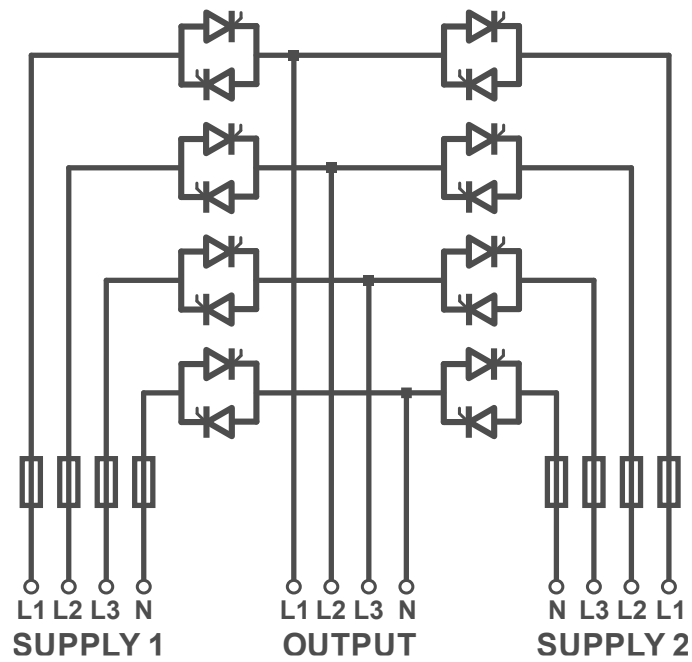
2.4 Line Diagram: Single Phase and 2 Phases, Common Neutral



2.5 Line Diagram: 3 Phases, Neutral available and not switched



2.6 Line Diagram: 3 Phases, Neutral switched



3. OPERATION

3.1 Safety

The iSTS is powered from two separate sources. It is important that you install correct signage with procedures within the enclosure and the immediate vicinity to warn personnel of this aspect and what isolation, checking and precautionary processes, and procedures need to be adopted to make the iSTS and equipment connected to the iSTS safe to work on.

This equipment receives power from more than one source. Disconnect output and all input sources of power from this equipment before servicing.

Do not proceed with the installation or operation of the iSTS if it has been damaged. Carefully inspect the iSTS for any damage that may have occurred during shipping, unpacking or during and after any installation process. Take care when handling the iSTS and ensure that it is physically supported during the installation process. At the end of the installation process the iSTS should be firmly and securely bolted within the rack.

Ensure the cables are securely connected and supported and all covers plates are replaced. There should be NO live exposed or accessible contacts that could cause electrical shock if contact is able to be made. This unit is designed for fixed wiring installation only.

This equipment is not suitable for installation into environments that utilise RCD earth leakage detectors on the inputs of the static transfer switch. Consult Static Power for special considerations.

**EARTH CONNECTION IS ESSENTIAL BEFORE WORKING ON CIRCUITS
OR CONNECTING / DISCONNECTING SUPPLIES.
TREAT AC INCOMING LEADS AS LIVE IF DISCONNECTING FROM SOURCE.**

3.2 Synchronism

The smoothest change-over occurs when the supplies are in synchronism, so it is best to make sure the input supplies are in synchronism. Some equipment (like transformers) may saturate when a transfer occurs when not in synchronism. This causes large currents to flow into the load which could cause damage to the transformer, trip protective devices or blow fuses.

The iSTS is configured to optimize the transfers. Manual transfers by default have uninterrupted transfers, however, at greater phase displacements (up to ± 180 degrees) a break of up to 12ms is inserted.

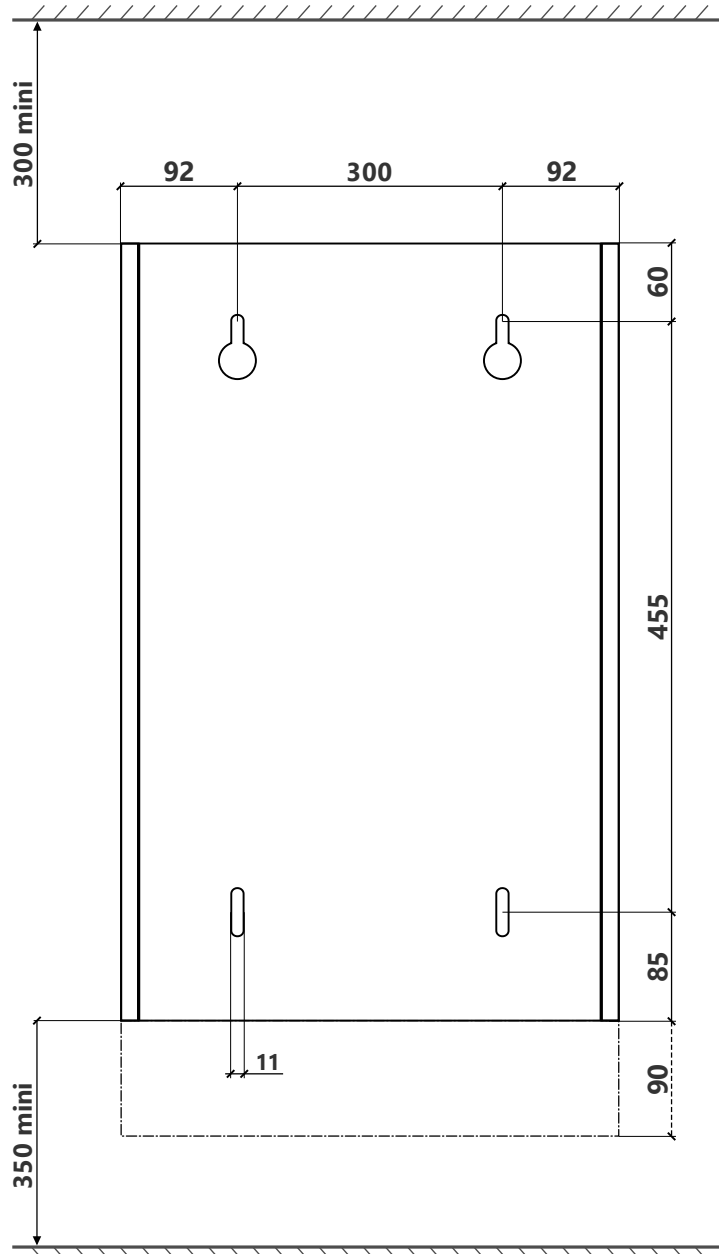
3.3 Start-up

NOTE: Due to the nature of SCRs (silicon-controlled rectifiers) some load of around 0.5A is required for correct operation. Before testing the operation of this iSTS, make sure this load is applied to the output.

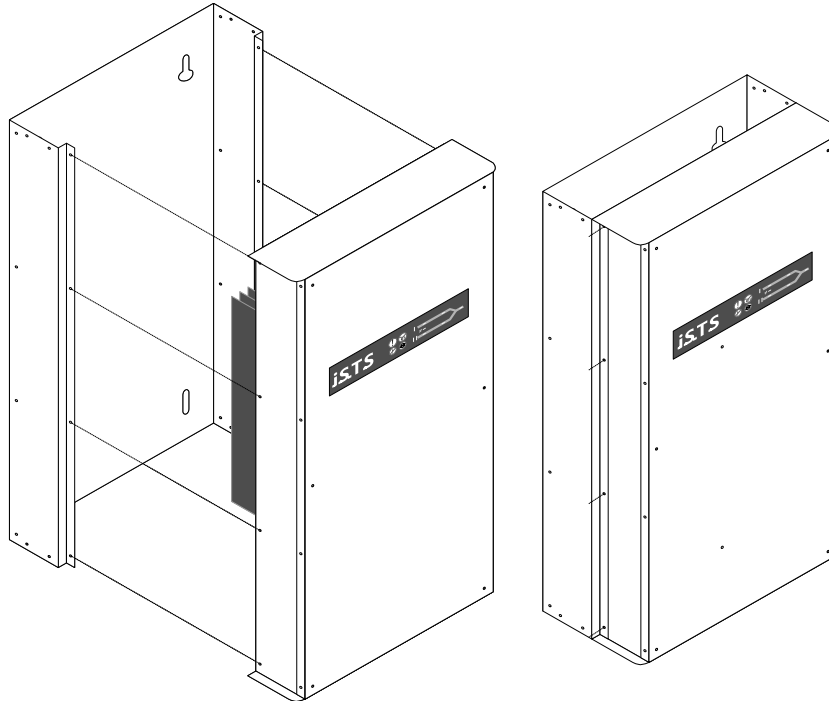
1. Ensure that your two input sources are within the tolerances and in synchronism.
2. Apply power to both input sources. There will be a short 15 second start-up period, after which the iSTS will begin powering your load.
3. you will be prompted to enter the date and time. We strongly encourage the setting of the date and time so that real time event correlation can be undertaken. The Real Time Clock is backed up by a rechargeable coin cell battery. If the battery is flat at the time of commissioning it may take several days to re-charge.
4. The ALARM should not be active. If it is check the following conditions that may be active:
 - ON Supply 1 when priority is Supply 2
 - ON Supply 2 when priority is Supply 1
 - Supply 1 or Supply 2 are not in spec
 - Override Switch is in position 1 or 2
 - Supply 1 & 2 are not in synchronism
 - The unit is too hot (thermal bi-metal switch on H.S. activated)
 - There is / was an overcurrent/ overload / load fault condition

3.4 Installation

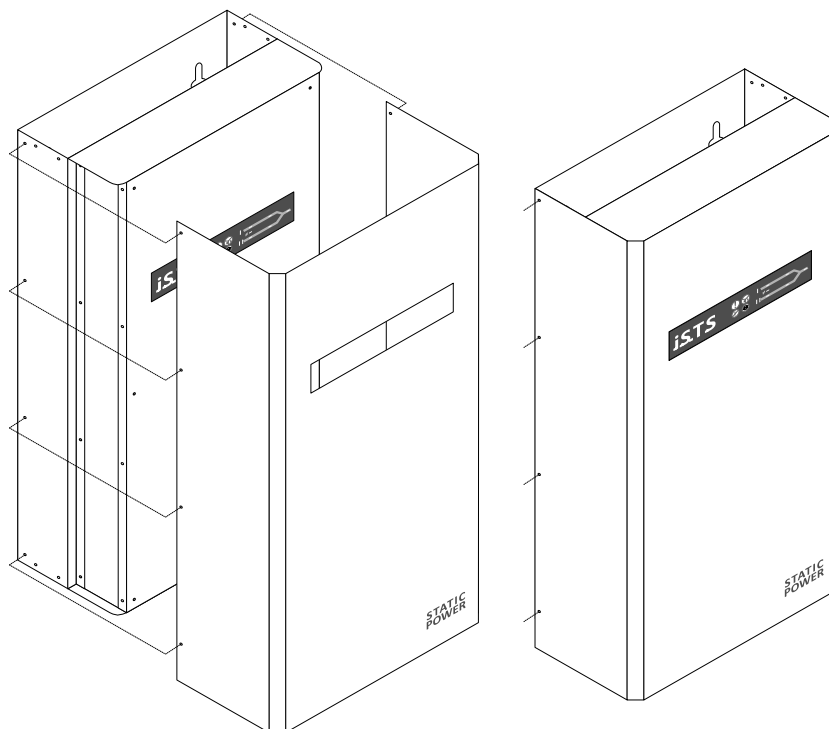
1. Fix support plate to wall or panel



2. Fix the power module to the support plate

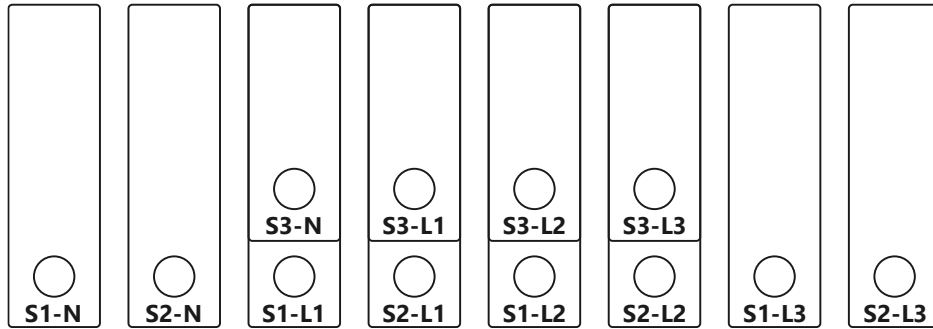


3. Fix cover on power module

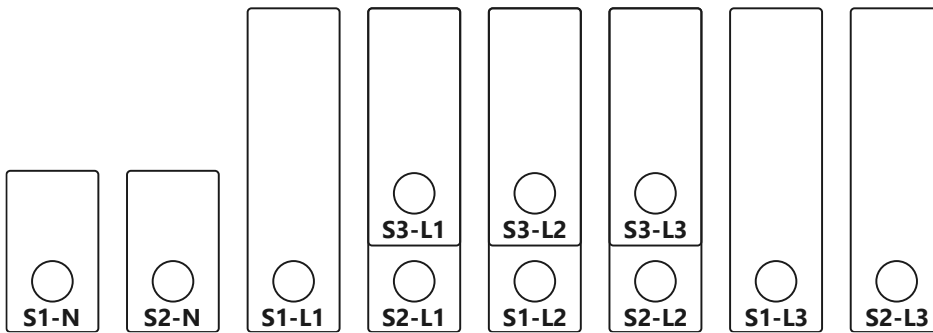


3.5 Cable Termination to the iSTS

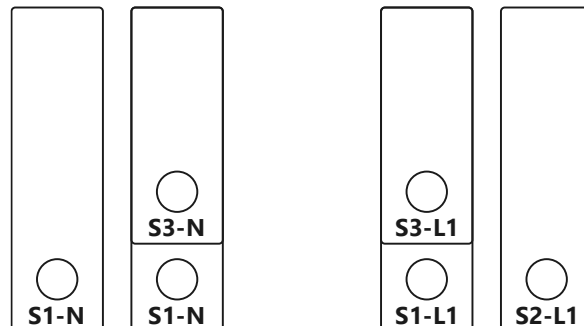
3-Phases / 4-Poles



3-Phases / 3-Poles



Single Phase



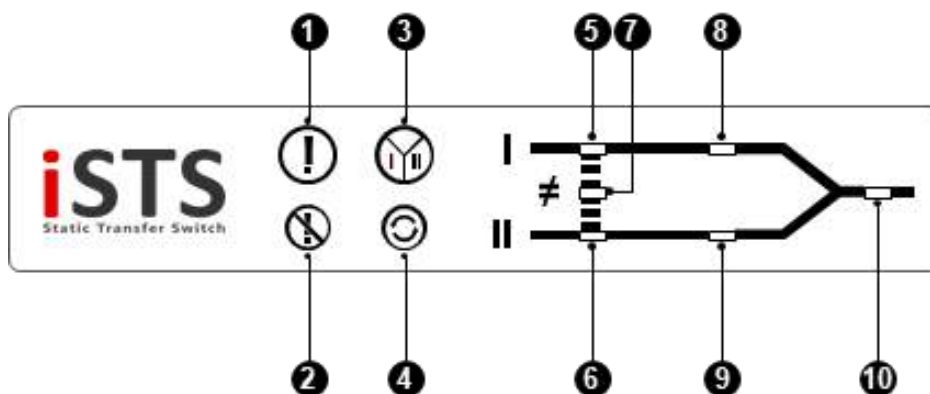
1. Attach cables using bolted lug connections to the terminals in the order show above.
2. Where S1 is Source 1 and S2 is Source 2 and S3 is the output (to load)
3. To access the input and output terminals by removing the cover and power module front plate. Cables enter from the bottom. Remove the gland plate and make holes suitable for a nylon gland.
4. Connect Active, Neutral and Earth cables to the respective terminals as marked at the terminals. Secure the connections on the terminal blocks. All cables connecting to the STS should be supported by the gland and not strain the point of connection.
5. All electrical connections are to be realised by properly qualified, skilled, and competent service personnel only.
6. Check all connections and that all ribbon cables are plugged in and secure. That nothing has moved out of place during handling and transport. Check all screw connections.
7. Before applying power replace power module front plate removed prior. Check the ratings of all sources and cables to the iSTS, make sure that the rated voltage for the unit corresponds to the ratings plate and the local supply voltage.
8. Apply power to the STS. After a few seconds, the LED mimic will show the direction of power flow.

When working on live iSTS, be sure to comply with the applicable national accident prevention rules.

4. USER INTERFACE

4.1 Mimic Display

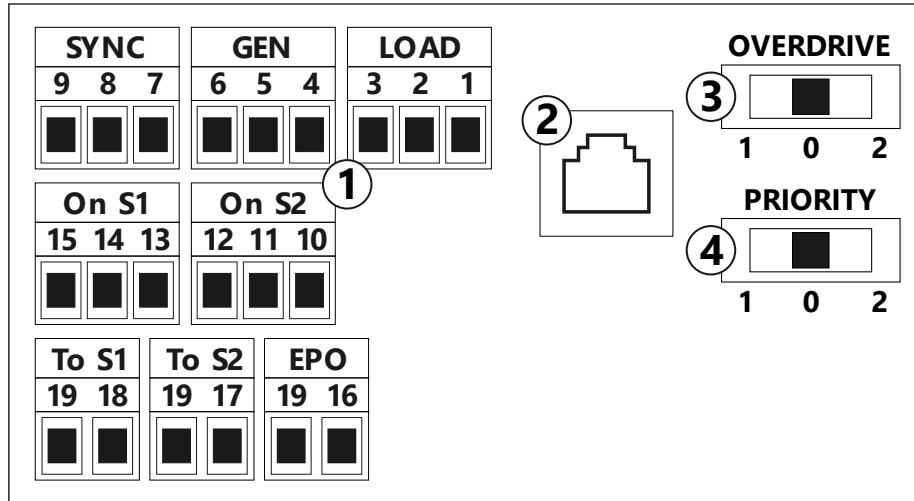
The mimic utilizes bi-colour LEDs to indicate the direction of power flow and the availability/status of power.



Name	Normal	Alarm	Other
1 SUMMARY ALARM LED	Not Lit	Flashing Alarm is Active	Press ALARM CANCEL if alarm still active then will be LIT solid (Not flashing)
2 ALARM CANCEL PUSHBUTTON	Not used	Press to acknowledge Alarm	if alarm still active then will be LIT solid (Not flashing)
3 PREFERRED SUPPLY SELECTION INDICATOR LED	In centre then No Priority is set	When TRANSFER pushbutton is pressed each time cycles through I, preferred, II preferred and no preferred	Once released on I or II the unit will transfer to I or II if not already on I or II
4 TRANSFER AND PREFERRED SUPPLY SELECTION PUSHBUTTON	Press to transfer	-	STS transfers to preferred selected supply after release of pushbutton

Name	GREEN	RED	Normal State
5 SUPPLY 1 OK LED	Supply 1 is within tolerance	Supply 1 is out of tolerance	GREEN if Supply 1 is ON
6 SUPPLY 2 OK LED	Supply 2 is within tolerance	Supply 2 is out of tolerance	GREEN if Supply 2 is ON
7 SYNC OK LED	Supply 1 and Supply 2 are within synchronisation range to perform a transparent transfer	Supply 1 and Supply 2 are not within synchronisation range to perform a transparent transfer	GREEN when Supply 1 and Supply 2 are both ON
8 ON SUPPLY 1 LED	Load is on Supply 1	Load is not on Supply 1	GREEN if load is Supply 1
9 ON SUPPLY 2 LED	Load is on Supply 2	Load is not on Supply 2	GREEN if load is Supply 2
10 iSTS OUTPUT LED	Output is OK	Output is faulty	GREEN

4.2 Remote Connection Port



1	User Interface Breakout Terminals
2	Ethernet Port
3	Override Switch (to operate with caution)
4	Priority Switch

The relays can switch up to 220VDC and 250VAC up to 1A.
Remote contacts are wet contacts and do not require external voltage to be applied.

PINS	CONNECTION	FUNCTION
1 to 2	Normally Open	Load Fault
3 to 2	Normally Closed	Load Fault
4 to 5	Normally Open	General Alarm
6 to 5	Normally Closed	General Alarm
7 to 8	Normally Open	Not in Sync
9 to 8	Normally Closed	Not in Sync
10 to 11	Normally Open	ON B (Supply 2)
12 to 11	Normally Closed	ON B (Supply 2)
13 to 14	Normally Open	ON A (Supply 1)
15 to 14	Normally Closed	ON A (Supply 1)
16 to 19	REMOTE CONTACT	Emergency power off
17 to 19	REMOTE CONTACT	Transfer to Supply 1
18 to 19	REMOTE CONTACT	Transfer to Supply 2

4.3 Preferred Switch

This switch allows the preferred source to be set to Supply 1, Supply 2 or None (0), which will take affect only when the preferred source is set to None (0) on the iSTS software. Refer to the Web Interface section for instructions on changing the preferred source through LAN connectivity.

If the iSTS has transferred the critical load to the alternate source, the iSTS will automatically transfer back to the preferred again when the preferred source is within tolerance and after a pre-set settling delay, typically 4 seconds.

4.4 Override Switch

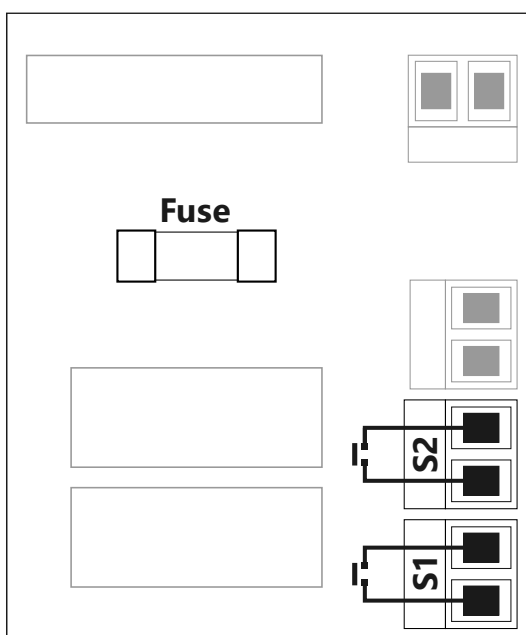
Setting the override switch to 1 or 2 will force the iSTS to stay on that supply even if faults are detected on that source. This switch overrides all other settings. It should not be used to transfer the critical load between sources (a break may result).

NOTE: The override provides control logic bypass only, it does not provide an alternative path for the load power.

WARNING! The override switch initiates instantaneous transfers and may transfer faults to the load.

WARNING! Never attempt to operate the OVERRIDE switch if the supplies are not in synchronism. There is no interlock to prevent the switch from being operated when the supplies are not available or not in synchronism. Refer to the LCD variables display and mimic diagram to check the synchronism state, (SYNC LED will be RED, variables display will show degrees out of synchronism. Only operate when less than 10 degrees). If the control is not operating, you may need to use other means to determine that the supplies are in synchronism. Do not operate the OVERRIDE switch onto an absent supply.

4.5 Input Breakers Tripping Port



The tripping relays can switch up to 220VDC and 250VAC up to 1A. Normally open, will close if iSTS internal fault.

4.6 Confirm Operation

1. Press the Preferred Button to highlight 'I' on the Preferred Indicator. Wait for the STS to transfer to Supply 1, if is not already on Supply 1. On Supply 1 LED will turn green.
2. Turn off Supply 1. Confirm that the STS transfers to Supply 2. On Supply 2 LED will turn green.
3. Turn on Supply 1. Confirm that the STS automatically transfers to Supply 1 after a 3 second delay. On Supply 1 LED will turn green.
4. Press the Preferred Button to highlight 'II' on the Preferred Indicator. Wait for the STS to transfer to Supply 2. On Supply 2 LED will turn green.
5. Turn off Supply 2. Confirm that the STS transfers to Supply 1. On Supply 1 LED will turn green.
6. Turn on Supply 2. Confirm that the STS automatically transfers to Supply 2 after a 3 second delay. On Supply 1 LED will turn green.
7. The operational test is complete. You can now select a preferred supply if any.

5. WEB BROWSER INTERFACE

Connecting to the LAN interface can be done two different ways with a RJ45 Cat5 Ethernet cable:

- To a Network hub/switch using a straight-through cable.
- To a PC using a cross-over cable (most PCs can now work with a straight-through cable).

5.1 Connection to a Network

By default, the STS uses a Static default IP address of 192.168.1.2, however, if required from the LAN/ HTTP interface a DHCP can be selected to have the IP information assigned automatically after the Ethernet cable is plugged in at both ends, this process can take up to several seconds to complete. If your network does not have a DHCP server or if you wish to use a static IP, you can change the IP Allocation on the Communications Settings screen shown below (or the Control Panel page on the Web server).

Use the Settings/ Control menu, enter the User admin and the passcode 1 2 3 4 to access TCP/IP settings. Setting IP Allocation to Static allows for manual input of IP address, subnet and gateway. If you have lost the IP address, use a suitable App to scan for the set IP address of the STS.

5.2 Connecting to a PC

When connecting directly to a PC, both the STS and PC must have statically assigned IP addresses on the same subnet. Set the IP address of the STS in the Communications screen described earlier. By default, this is IP: 192.168.1.2 with Mask: 255.255.255.0

To set the IP address of your computer in Windows 7/10 go to: Network and Sharing Centre ► Change adapter settings, right-click the network interface ► Properties. Select TCP/IPv4 ► Properties. Change the values to match as shown below and click OK, you soon should be connected to your device.

Note: For other operating systems, please refer to the OS networking manual.

5.3 Connecting to the Web Server

To use a ping test to confirm the connection on a PC, run command prompt (CMD) and type ping (space) then the IP address of the device then press enter.

Entering the IP address into the web browser address bar brings up the web server home page. If the DHCP/address have not yet been registered on your network you may need to remove the cable for 5 to 10 seconds and reconnect the cable, this in turn should re-register the device on the network.

Supply 1 Online

No Supply Preference

Variables

	L1	L2	L3
Supply 1(V)	224	226	229
Supply 2(V)	226	224	229
Output:			
Voltage	226	197	227
Current(A)	24	22	25
Power(kVa x10)	56	45	57
Power(kW x10)	55	44	56
Power Factor	0.98	0.98	0.98

Events

<<
<
>
>>
⌵

Date	Time	Event	Target
16/04/2018	15:51:04	S3 Average V	OK
16/04/2018	15:51:04	S3 Average V	OK
16/04/2018	15:51:04	S3 Average V	OK
16/04/2018	15:51:04	Transfer	1
16/04/2018	15:50:59	S3 Average V	L3
16/04/2018	15:50:59	S3 Average V	L2
16/04/2018	15:50:59	S3 Average V	L1
16/04/2018	15:50:59	Initialise	

Open Control Panel

WEB SERVER HOME PAGE

The home page displays the connected supply, supply preference, variables and events list that can be scrolled through using the arrows provided. From the home page, gain access to the Control panel by clicking Open Control Panel and enter following username and password:

Username: **admin**
Password: **1234**

5.4 Control Panel

On the Control Panel page, many more options become available:

- Viewing utilisation
- Ability to transfer supply
- Setting the preferred supply
- Setting the name and location information
- Adjusting the time and date
- Setting the IP address

NOTE: You must press update for the information to be saved on the device

Control
Email
Settings
✕

Utilisation

Total Hours on Supply 1	0	Number of Synchronisation Losses	2
Total Hours on Supply 2	0	No of Load Fault	3
Total Hours on Preferred Supply	0	Last Load Fault	01/01/2012 00:00:00
Total Hours in Operation	0	No of Supply Outages	0
Number of Hours with no output	0	Last supply outage	13/02/2012 23:51:28
Number of Forced Transfers	3	Model Number	

Supply

Transfer Supply ↔

Set Preferred

1
None
2

Eco Mode

ON
OFF

Unit Details

Name:

Location:

Update

Network

DHCP: On Off

IP:

Mask:

Gateway:

Update

Time & Date

Time:
Hour Minute Second

Date:
Day Month Year

Update

CONTROL PANEL SCREEN

Transferring the Supply

Clicking on the "Transfer Supply" will change to the alternate supply after a few seconds refresh the browser to view the new status. If that supply is faulty the transfer will not occur.

Set Preferred

The iSTS will stay connected to the preferred supply until there is a failure. In the case of the supply failing, the STS will switch to the alternate supply and then switch back to the preferred after the fault has cleared and the incoming AC voltage has returned to normal. When None is selected, the iSTS will not revert back to the other supply after switching. Internal preferred setting should be on none for this to work correctly.

Unit Details

Enter a name for the device under "Name:" and the location it is stored at under "location:" this should be done so you can differentiate between different static transfer switches.

Date and Time Settings

Enter the date and time, this should only be required once. We strongly encourage setting the correct time and date so that the real time event correlation can be undertaken. After pressing update the details will be stored into the unit. The real time clock is thereafter backed up by a battery cell.

IP Address Settings

The default settings are set to DHCP mode "On", when this is set to "Off" then the other options become available to change. From here you can change the IP, Mask and the Gateway. After pressing update these details will be saved on the unit.

5.5 Email

The Email tab allows you to turn on the email notification service. When a certain event occurs, the unit will send an email to notify the user. The email takes the following format:

STS01 – LVL5
Supply 1 Fault - 05/05/2014 13:01:42

Server Settings

This is the SMTP server that the unit will use to send the email. You need to provide the Server Address, Server Port, Username or email, and a password.

Note: this cannot be an SSL SMTP server.

Recipient Email

This is where the email notification will be sent. It can be the same as the above email.

Email List

In this section you can select which event types should trigger an email notification to be sent.

EMAIL SCREEN

5.6 Advanced Settings

Control
Email
Settings
✕

Input Steady State

S1 steady state high value (%) 105 - 135

S1 steady state low value (%) 70 - 95

S2 steady state high value (%) 105 - 135

S2 steady state low value (%) 70 - 95

Steady state failure time (sec/10) 10 - 30

Phase error detection normal (deg)

Phase error detection fault (deg) D (5-180)

Phase error detection break (ms) 0 - 150

Input Transient

S1 transient high value (%) 105 - 135

S1 transient low value (%) 70 - 95

S2 transient high value (%) 105 - 135

S2 transient low value (%) 70 - 95

Re-transfer timeout (sec) 5 - 25

Re-transfer max attempts 0 - 5

Output

Output steady state high value (%) 105 - 135

Output steady state low value (%) 70 - 95

Output transient high value (%) 105 - 135

Output transient low value (%) 70 - 95

High current time (minutes)

High current time (secs)

Transfer timer 0 - 100

SETTINGS SCREEN

NOTE: The STS has been shipped with factory defaults. These are the most reliable settings for correct stable operation. These settings should only be changed under the certain operating conditions, and it is advised that you consult with us before doing so, as wrong settings can make the system unstable and damage equipment.

5.7 Input Steady State Settings

These figures define the upper and lower limits of deviation from the nominal voltage and current of the input power that creates the fault condition to trigger the alarm and record the event.

S1 steady state high value (%)

Default value of 115%, can be changed from a nominal value of 105 to 125. This number will be set as percentage. Averaging time constant for this parameter is defined by Steady state failure time typically 1.5 seconds.

S1 steady state low value (%)

Default value of 85%, can be changed from a nominal value of 70 to 95. This number will be set as percentage. Averaging time constant for this parameter is defined by Steady state failure time typically 1.5 seconds.

S2 steady state high value (%)

Default value of 115%, can be changed from a nominal value of 105 to 135. This number will be set as percentage. Averaging time constant for this parameter is defined by Steady state failure time typically 1.5 seconds.

S2 steady state low value (%)

Default value of 85%, can be changed from a nominal value of 70 to 95. This number will be set as percentage. Averaging time constant for this parameter is defined by Steady state failure time typically 1.5 seconds.

Steady state failure time (sec/10)

Default value of 15, this value will be divided by 10 making the value of 1.5 seconds. This number can be between 10-30. This is the amount of time for the input power sources being outside of the limit values in order for the fault condition to be determined as true. If this time is set to too small of a value it can cause erratic operation.

NOTE: By default, the unit operates with the intelligent out of sync delay. To turn off the intelligent sync delay DIP SW2 must be turned on. The below phase settings should only be changed when intelligent sync delay is off.

Phase error detection normal (deg)

This figure between 0 – 180 degrees, sets the maximum allowable separation between the two supplies, whereby if the supplies fall out of phase by this amount, the user will no longer be able to perform a manual transfer. The default is 10 degrees.

Although the setting limit can be set from 0 to 180 degrees the consequence of transfer when asynchronous may result in a non-seamless transfer to the critical load. Ferromagnetic devices will saturate and draw large current when out of synchronism transfers are undertaken. The effect on some switch mode power supplies is also unknown. The user should consult with the equipment manufacturer to ensure that damage does not result from out of synchronisation transfers and what their recommended synchronisation limits are.

Setting to "0" disables the transfer pushbutton operation.

If the programmed value in the "Auto" column is exceeded no action takes place. Refer to "Phase error detection fault" below.

Phase error detection fault (deg)

This is the degree of difference between phases of the supplies that will force a break time between automatically initiated transfers due to supply source / output supply faults.

The default value is "D" (Dynamic) which means the STS will calculate the break to insert for the degree of asynchronisation.

This can be set from 5 to 180 degrees. The recommended default is 30 degrees. Up until this value transfers that are initiated from the system (except manually) will occur without a break. Once the displacement between the two phases is more than this value, a break is inserted as defined by "Phase error detection break".

Phase error detection break (ms)

Setting this value to '0' turns on the intelligent transfer delay mode where the device will automatically calculate a break time based on the degree of difference between the two supplies. For more information refer to 'Prevention of Transformer Saturation' technical report.

Otherwise, this can be set from 10 – 150 msec with resolution of 10 msec. These are typical break insertion times; additional time would be added as a result of thyristor turn-off delays.

NOTE: In the scenario that two supplies are significantly out of synchronism, a break time will be inserted to prevent inadvertent damage to equipment, tripping of protection devices or opening of fuses.

5.8 Input Transient Settings

These figures define the upper and lower limits of deviation from the nominal voltage and current of the input power that creates the fault condition to trigger the alarm and record the event.

S1 transient high value (%)

Default value of 115%, can be changed from a nominal value of 105 to 135. This number will be set as percentage. Transient time constant for this parameter is defined by "transient over-sampling time constant 3 x 312 µsec".

S1 transient low value (%)

Default value of 85%, can be changed from a nominal value of 70 to 95. This number will be set as percentage. Transient time constant for this parameter is defined by "transient over-sampling time constant 3 x 312 µsec".

S2 transient high value (%)

Default value of 115%, can be changed from a nominal value of 105 to 135. This number will be set as percentage. Transient time constant for this parameter is defined by "transient over-sampling time constant 3 x 312 µsec".

S2 transient low value (%)

Default value of 85%, can be changed from a nominal value of 70 to 95. This number will be set as percentage. Transient time constant for this parameter is defined by "transient over-sampling time constant 3 x 312 µsec".

Re-transfer timeout (sec)

This parameter defines the delay before a re-transfer back to the original preferred source after the fault has been cleared and the source has returned to normal steady state conditions. The default value for this parameter 5 seconds. If this is set to a value too small, an unstable condition could arise from the source not having enough time to recover.

Re-transfer max attempts

This setting refers to the number of times the device will transfer back to the preferred source. A lock out results after this but is re-set on a new fault alarm condition. The default value is 3. A setting of "0" inhibits retries and device will not transfer back to the preferred source.

NOTE: Adjustment may be required to the Transient values if the source supply voltages are distorted or above or below nominal. Setting too close a limit to the actual operating Steady State voltage may cause erratic Static Transfer Switch operation.

5.9 Output Settings

Output steady state high value (%)

The default value of 118%, can be changed from a nominal value from 105 to 135. This number will be set as a percentage. Averaging time constant for this parameter is defined by "Steady-state failure time" typically 1.5 seconds.

Set as a percentage from nominal – This parameter should always be wider than the S1 & S2 Steady state high threshold. This will ensure that when there is a problem with S1/S2 the event list will report correctly. S3 (Output) sensing is provided as redundant sensing for online source S1 or S2 and in case of internal thyristor triggering a fault.

When the output reaches this value, the alarm will be triggered, and the STS will transfer to the alternative source.

Output steady state low value (%)

A default value of 82%, can be changed from a nominal value of 70 to 95. This number will be set as a percentage. Averaging time constant for this parameter is defined by "Steady-state failure time" typically 1.5 seconds. Set as a percentage from nominal – This parameter should always be wider than the S1 & S2 steady state low threshold. This will ensure that when there is a problem with S1/S2 event list will report correctly. S3 (Output) sensing is provided as redundant sensing for online source S1 or S2 and in case of internal thyristor triggering a fault.

When the output reaches this value, the alarm will be triggered, and the STS will transfer to the alternative source.

Output transient high value (%)

The default value of 120%, can be changed from a nominal value of 105 to 135. This number will be set as a percentage. The transient time constant for this parameter is defined by "Transient over-sampling time constant $2 \times 312 \mu\text{sec}$ ". Set as a percentage from nominal – This parameter should always be wider than the S1 & S2 transient high threshold. This will ensure that when there is a problem with S1 or S2 the event list will report correctly. S3 (Output) sensing is provided as redundant sensing for online source S1 or S2 and in case of internal thyristor triggering a fault. The operation is to transfer to the alternative source.

Transient limits should be set outside Steady state limits.

Output transient low value (%)

The default value of 80%, can be changed from a nominal value of 70 to 95. This number will be set as a percentage. The transient time constant for this parameter is defined by "Transient over-sampling time constant $2 \times 312 \mu\text{sec}$ ". This parameter should always be wider than the S1 & S2 transient high threshold. This will ensure that when there is a problem with S1 or S2 the event list will report correctly. S3 (Output) sensing is provided as redundant sensing for online source S1 or S2 and in case of internal thyristor triggering a fault. The operation is to transfer to the alternative source.

Transient limits should be set outside steady state limits.

High current time (minutes) at 110% & 125% Overload

The default values for 110% (first column) is 60 minutes and for 125% (second column) is 20 minutes. Exceeding the overload limits of 110% for greater than 60 minutes OR 125% for 20 Minutes will not affect the critical load and no switching occurs. It is intended as a warning that the STS is overloaded. Failure to reduce the load will cause semiconductor failures.

Consult the manufacturer before setting to higher values to ensure that the unit will operate safely without failure or overheating.

High current time (secs) at 150% & 200% Overload

The default values for 150% (first column) is 10 seconds and for 200% (second column) is 1 second. Exceeding the overload limits of 150% for 10 seconds OR 200% for 1 second will not affect the critical load and no switching occurs. It is intended as a warning that the STS is overloaded.

Failure to reduce the load will cause semiconductor failures.

Transfer timer

The default setting value is "0" which disables this function.

This parameter sets a period in seconds that the STS will undertake a test transfer to the alternate source. After a delay, the load will be returned to the original source. This function is used to test functionality and protections within the STS.

6. FAULT DIAGNOSIS

6.1 Fault Codes

Event	Append	Description	STS Action Resulting
INIT		RAM CHKsum failed – Cold Start (RAM Corrupt) – Flash Defaults downloaded	None - Contact Static Power
WARM BOOT		Power-up, Warm Start, re-initialize all but RAM – Keeps Event List	Normal After Black Start
SYNC	FLT/OK/WRN	S1 & S2 not in synchronism	Alarm No action
SUPPLY 1	FLT/OK	Supply 1 has a fault or fault has cleared	When fault is detected transfers to supply 2 if on 1
SUPPLY 1 TRANS		Supply 1 has Transient High or Low (1 sec)	Transfers to supply 2 if on 1
SUPPLY 1 AVG	LOW/HIGH/OK	Supply 1 steady state is outside tolerance limits	When fault is detected, transfers to supply 2 if on 1
SUPPLY 2	FLT/OK	Supply 2 has a fault or fault has cleared	When fault is detected transfers to supply 1 if on 2
SUPPLY 2 TRANS		Supply 2 has Transient High or Low (1 sec)	Transfers to supply 1 if on 2
SUPPLY 2 AVG	LOW/HIGH/OK	Supply 2 steady state is outside tolerance limits	When fault is detected, transfers to supply 2 if on 1
SUPPLY 3 AVG		Output steady state is outside tolerance limits	Transfers to inactive supply
SUPPLY 3 TRANS		Outside has Transient High or Low (1 sec)	Transfers to inactive supply
CURRENT	WARN/HIGH	Output is overloaded (timed shutdown)	Alarm No action starts timer
TRANSFER	1/2	Transfer to Supply 1 or 2 requested	User - Manual Action
PREF	1/2/OFF	Preferred Source Set 1, 2 or none	User - Manual Switch Only
SCR SC	1/2	SCR on S1 or S2 short circuit detected on Supply 1 or 2	Contact Static Power – Locks to safe source
SCR OC	1/2	SCR on S1 or S2 Open circuit detected on phase #	Contact Static Power – Locks to safe source

6.2 Load Fault

Transfer timer

In case of sustained high current output load faults, the iSTS will inhibit a transfer to the alternate supply even if this means degradation or loss of source supply. It is therefore imperative that you ensure that the discrimination with downstream and upstream protective devices ensures that the downstream protective device always clears the fault first. The transfer inhibit timer will automatically reset after 90 seconds.

In case that all output is lost the faulty equipment should be located and removed from the iSTS output before re-instatement of power.

7. RECOMMENDED MAINTENANCE SCHEDULE

If the unit is faulty then it should be removed from service as per the accompanying procedure and a qualified experienced service agent should affect repair.

- Once per month record the operating variables and compare with the specifications and operating parameters to ensure that the unit is operating correctly.
- Check the Event History and correlate any recorded events since last observation with real occurrences. Report / investigate any suspicious entries.
- Inspect cable connections for overheating.

Contact Static Power for help with troubleshooting and parts replacement.

NOTE: The user should not undertake repair procedures or gain access to the internal of the equipment.

8. SPECIFICATIONS

<i>Current rating</i>	Up to 250A	
<i>Voltage rating</i>	All region-specific voltages selectable $\pm 10\%$	
<i>Type</i>	Single phase, 3-Phase/3-Pole or 3-Phase/4-Pole	
<i>Frequency</i>	50Hz and 60Hz, $\pm 10\%$ - Auto detection	
<i>Transfer type</i>	Break-Before-Make zero current transfer by Thyristors / SCR	
<i>Synchronous break time</i>	Synchronous break time up to $\frac{1}{4}$ cycle	
<i>MTBF</i>	>800,000 hours	
<i>Display</i>	Bi-colour LED mimic decal	
<i>Interface</i>	Preferred supply selection, Source transfer selection and Alarm cancel buttons	
<i>Contact</i>	2 Self wetting transfer control inputs 5 Voltage free change-over status indicators, Form C	
<i>Ethernet</i>	HTTP, SNMP, MODBUS TCP, Email & NTP	
<i>Input options</i>	Bolted terminals via glands	
<i>Output options</i>	Bolted terminals via glands	
<i>Dimensions & Weight</i>	W385 x H690 x D185mm – 15kg	
<i>Temperature</i>	0 – 45/55°C	
<i>IP rating</i>	IP54	
<i>Detection</i>	Digital: <1ms	
<i>Asynchronous break time</i>	0ms, 10ms, 50ms or Vt proportional, 0° to 180°	
<i>Loading</i>	0 - 100% @45/55°C ambient	
<i>Device ratings</i>	300A _{RMS} , 5kA for 1 cycle	
<i>Overload @45°C ambient</i>	125% for 10min 150% for 30s	200% for 1s 300% for 0.1s 5kA for 1 cycle
<i>Fault current setting</i>	300% peak with load fault transfer inhibit	
<i>Safe install environment</i>	20kA, 300A internally fused	
<i>Protection</i>	300A fuses	
<i>Power factor</i>	No practical limit	
<i>Max THDV</i>	10% - Max allowable source voltage distortion	
<i>Crest factor</i>	3 : 1	
<i>dV/dt max</i>	1000V/ μ s	
<i>Cooling</i>	Passive up to 160A – Redundant fans up to 250A	
<i>Humidity @40°C ambient</i>	5 – 95% non-condensing	
<i>Regulatory approvals</i>	IEC 62310-1,2,3 - IEC 60950 - IEC 61000-6-1,2,3,4 – CE – RCM - UL Capable - RoHS	
<i>Standard warranty</i>	24 months offsite repair or replacement policy	

Specifications are subject to change without notice