

# COMMUNICATION CARD SLOT ADAPTER

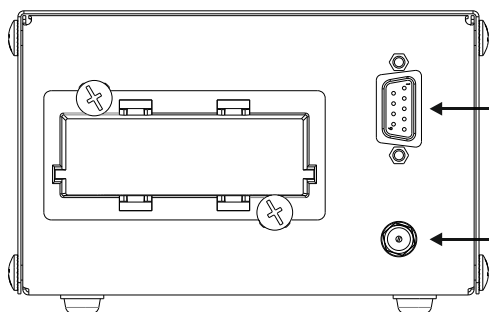
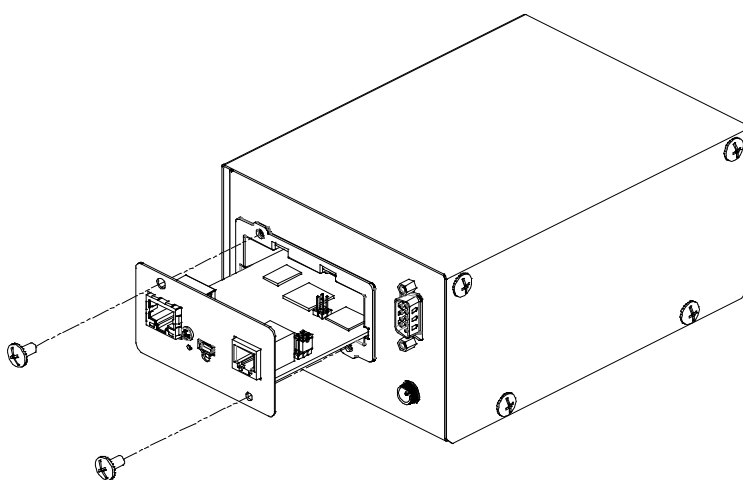
## quick start

### SUPPORTED DEVICES

NetMan 204 – MultiCOM 302 – MultiCOM 352

### INSTALLATION

Remove the two retaining screws, insert the card and fix it with the screws.



Connect to the UPS serial port

Connect to the power supply

#### SERIAL PORT PINOUT

|  | 1 | 2   | 3   | 4      | 5   | 6 | 7 | 8 | 9 |
|--|---|-----|-----|--------|-----|---|---|---|---|
|  | - | RXD | TXD | +12Vdc | GND | - | - | - | - |

#### POWER SUPPLY TECHNICAL DATA



+12Vdc

500mA

- 0MNACCBS1ENQA -

**New Zealand:** sales@heliosps.co.nz - **Australia:** sales@heliosps.com.au - **Asia & Middle East:** sales@heliosps.asia