



Small, modular and reliable UPS solution to secure AC loads from 3 to 12 kVA!

Telecom
 Datacom
 Mass transport
 Industry
 Power Utilities
 Renewable



Description

Based on our most reliable converters, this rack solution can be used to secure your **AC loads** with the most **compact** and **reliable** solution on the market.



This solution is compatible with 230 Vac loads and 48 Vdc batteries (Lead-acid or NiCd). The **modularity** allows to increase the power output step-by-step from 3 to 12 kVA. Fully equipped, this rack system can reach the **power density** of 12 kVA in only 2U high offering the highest one in the market.

The reliability of such a system, based on CE+T Power modular inverters leading technology, is incomparable with small power UPS.

Includes:



Flexa 25 - 230/230



Inview S - Monitoring

Rack integration:

The **complete solution** offers, in only **5U high**, the converters, the AC distribution, the manual by-pass and the monitoring solution (Inview S). Simply connect your batteries and your loads and the all-in-one solution is ready to secure your most critical assets! You then have the choice to size the batteries according to the backup time you require.



The system is designed for harsh environment **operating up to 60°C** (with a derating starting at 40°C). Despite the high conversion efficiency of the modules, the thermal design has been studied to optimize passive cooling. As a result, you only need to dissipate one-third of the remaining heat in your integrated solution.

Last but not least, the solution has been developed to offer the **best cost/watt ratio**.

Applications:

- Telecom (core sites, edge computing and base stations)
- Datacenters
- Mass transport
- Industrial
- Power utility
- Oil & Gas
- Marine
- Off-Shore
- And many others

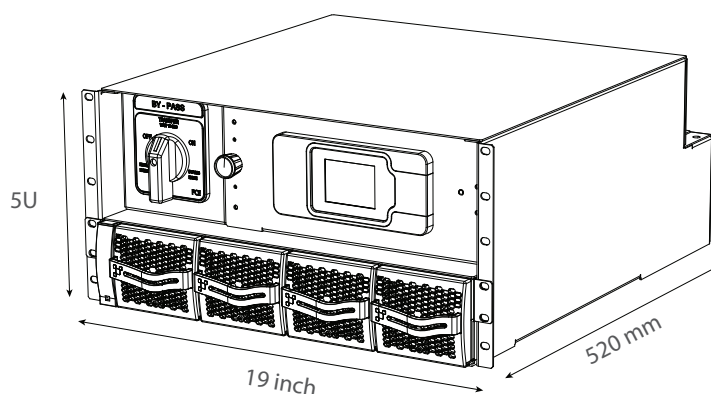
Key features:

- UPS for AC loads
- Modular (3 kVA to 12 kVA)
- High power density (only 5U high)
- EMC/EMI compliance
- Harsh environment
- Hot-swappable capacity
- Compact, easy to install and operate
- User-friendly monitoring

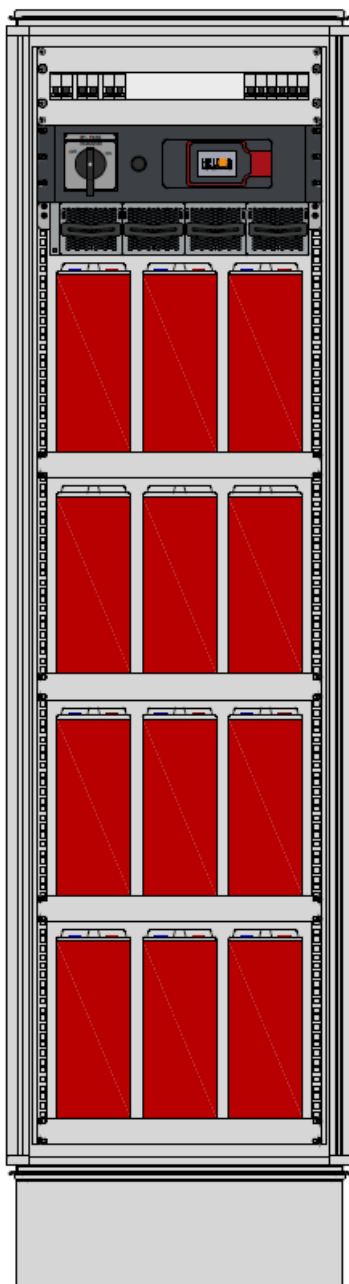
Illustrations are non-binding and may include customized fittings.

Single phase 19" rack mount AC UPS, from 3 to 12 kVA

	3 kVA	6 kVA	9 kVA	12 kVA
General				
Part Number	S72A73E01045C100J001	S72A73E02045C100J001	S72A73E03045C100J001	S72A73E04045C100J001
Ingress Protection	IP20			
Cooling	Forced cooling			
Operating T°	-20 to + 40°C derating from 40 to 60°C			
Manual By Pass	Included			
Power				
AC Input Data				
Voltage range AC	150 to 265 Vac L-N single phase			
Nominal current @100% load and 230VAC	11.7 A	23.4 A	35.1 A	46.8 A
Frequency	47-53Hz / 57-63Hz			
Power factor	>0.99			
AC Input breaker	63A 2 Poles			
AC Output Data				
Voltage range AC out	220-240 Vac L-N single phase adjustable			
Output Power	3 kVA / 2.4 kW	6 kVA / 4.8 kW	9 kVA / 7.2 kW	12 kVA / 9.6 kW
Frequency	50Hz , 60 Hz ±0.1%			
AC output breaker	63A 2 Poles			
DC Data (Battery)				
Nominal voltage (range)	48 Vdc (40 - 60 Vdc)			
Battery breaker	300A for 1 string			
Recharge time for 30 min backup @ 100% load	6 to 8 hours for 80% battery capacity			
Signaling & Supervision				
Display	Synoptic LED on Modules and 2.8" touch screen in Inview S			
Supervision	Inview S			
Communication	ETH, SNMP, MODBUS over IP			
Alarm relay	Form C dry contact Major + Minor + 6 relay configurable			
System				
Width x Height x Depth	19 Inch x 5U x 520 mm			
Weight without modules	23 kg			
Safety & EMC				
Safety	EN/IEC 62040-1			
EMC	EN/IEC 62040-2			
Performances	EN/ IEC62040-3			



Flexa CAB - Modular AC UPS with Battery Backup



Features:

- Small footprint for longer runtime > 8 hours
- Built-in bypass
- High temperature operation
- Long life [batteries](#) and easy maintenance
- Flexible AC & DC distribution
- Battery Monitoring & Control
- User-friendly monitoring
- Comms: SNMP, MODBUS over IP
- Modules can be online-swapped

RITTAL CABINET

42U 2135mm H 600mm W X 600mm D INCLUDING PLINTH

3U DISTRIBUTION WITH:
 1 x 2P INPUT MCB
 1 x 2P BYPASS MCB WITH AUX
 1 x 2P OUTPUT MCB WITH AUX
 3 x 2P BATTERY MCBs

5U 12kVA FLEXA UPS WITH:
 MANUAL BYPASS
 INVIEW S SUPERVISION
 ETH, SNMP, MODBUS OVER IP COMMUNICATION
 UP TO 4 FLEXA 25 UPS MODULES (3kVA EACH)
 CONFIGURABLE ALARM RELAY

3 x 12V 190AH BATTERIES (NSB190FT HT RED)

+HDBS BATTERY SHELF

3 x 12V 190AH BATTERIES (NSB190FT HT RED)

+HDBS BATTERY SHELF

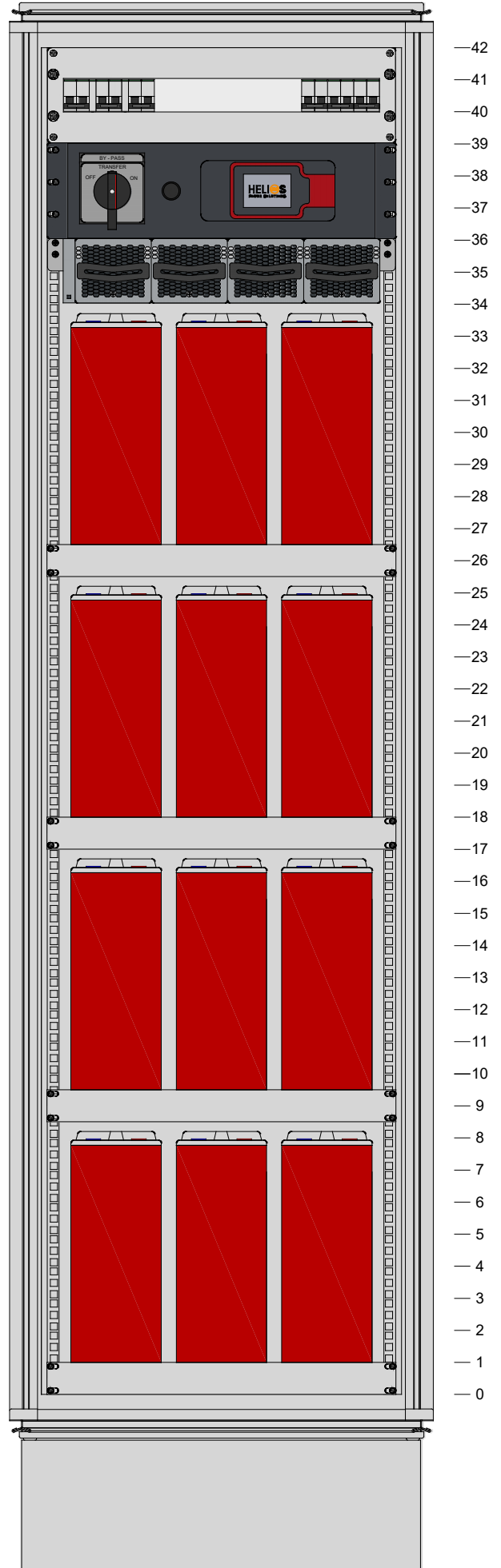
3 x 12V 190AH BATTERIES (NSB190FT HT RED)

+HDBS BATTERY SHELF

3 x 12V 190AH BATTERIES (NSB190FT HT RED)

+HDBS BATTERY SHELF

PLINTH



TITLE : 42U 12kVA UPS with Bypass and 570Ah Battery Bank - General Assembly		DRAWN BY:	WILLEM	CAB NO:	CABxxx
FILE : N:\Sales\Custom Manufacturing\CABS\CABxxx\Drawings\CABxxx GADWG	ISSUE: 1	APPROVED BY:		QUOTATION :	D0xxxx
SHEET 1 of 1	REVISION: 0	REVISED BY:		DATE :	06-06-19

RITTAL CABINET

42U 2135mm H 600mm W X 600mm D INCLUDING PLINTH

3 x 12V 190AH BATTERIES (NSB190FT HT RED)

+HDBS BATTERY SHELF

3 x 12V 190AH BATTERIES (NSB190FT HT RED)

+HDBS BATTERY SHELF

3U DISTRIBUTION WITH:
 1 x 2P INPUT MCB
 1 x 2P BYPASS MCB WITH AUX
 1 x 2P OUTPUT MCB WITH AUX
 3 x 2P BATTERY MCBs

5U 12kVA FLEXA UPS WITH:
 MANUAL BYPASS
 INVIEW S SUPERVISION
 ETH, SNMP, MODBUS OVER IP COMMUNICATION
 UP TO 4 FLEXA 25 UPS MODULES (3kVA EACH)
 CONFIGURABLE ALARM RELAY

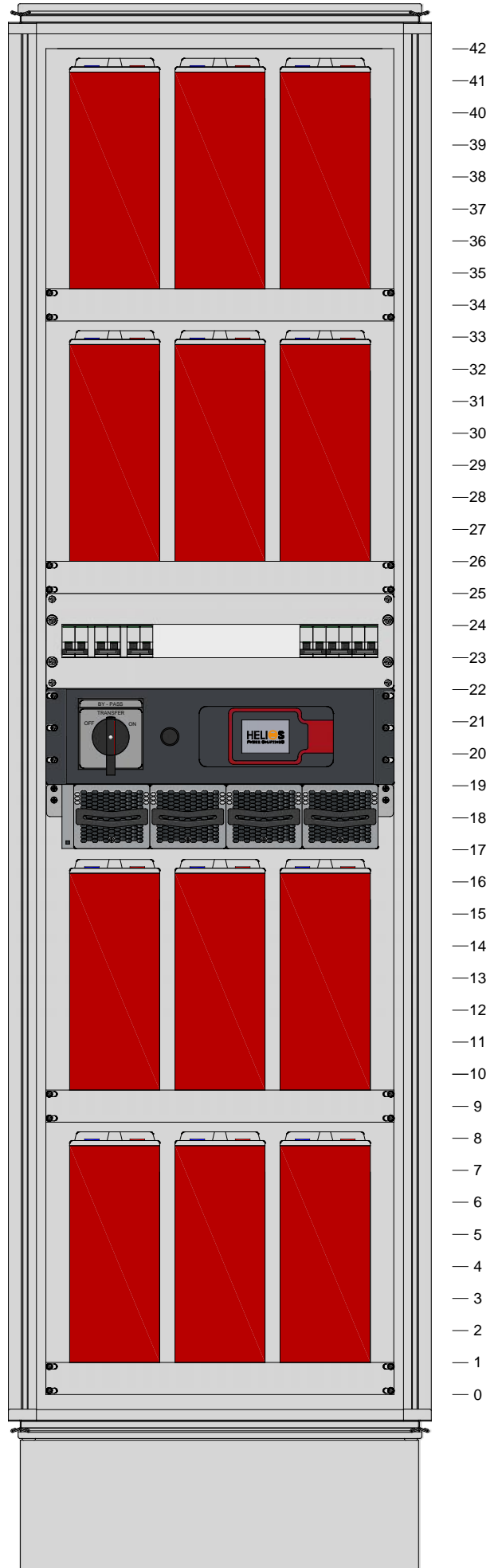
3 x 12V 190AH BATTERIES (NSB190FT HT RED)

+HDBS BATTERY SHELF

3 x 12V 190AH BATTERIES (NSB190FT HT RED)

+HDBS BATTERY SHELF

PLINTH



TITLE : 42U 12kVA UPS with Bypass and 570Ah Battery Bank - General Assembly		DRAWN BY:	WILLEM	CAB NO:	CABxxx
FILE : N:\Sales\Custom Manufacturing\CABS\CABxxx\Drawings\CABxxx GA Ver2.DWG	ISSUE: 1	APPROVED BY:		QUOTATION :	DOxxxx
SHEET 1 of 1	REVISION: 0	REVISED BY:		DATE :	06-06-19